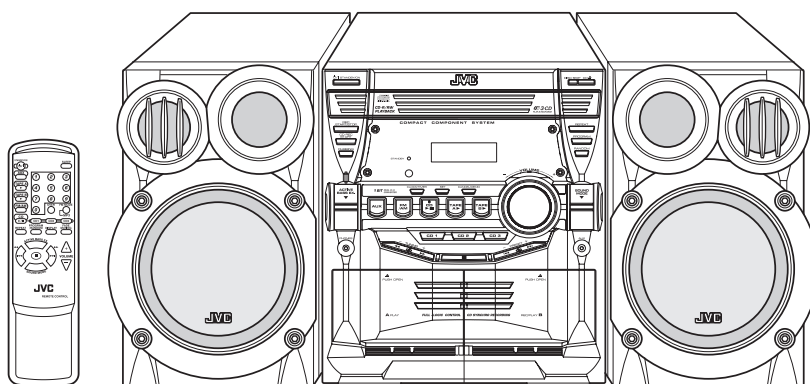


JVC

SERVICE MANUAL

COMPACT COMPONENT SYSTEM

MX-KB2, MX-KB1



COMPACT
disc
DIGITAL AUDIO

Area suffix

UW ----- Brazil, Mexico, Peru

TABLE OF CONTENTS

1	PRECAUTION.....	1-3
2	SPECIFIC SERVICE INSTRUCTIONS.....	1-6
3	DISASSEMBLY.....	1-7
4	ADJUSTMENT.....	1-27
5	TROUBLESHOOTING.....	1-31

SPECIFICATION

Amplifier	Output Power	30 W per channel, min. RMS, driven into 6 Ω at 1kHz, with no more than 10% total harmonic distortion (IEC 268-3)
	Input Sensitivity/Impedance (1 kHz)	AUX IN:500 mV/51 k Ω
	Speaker terminals	6 - 16 Ω
	Phones	32 Ω - 1 k Ω
Cassette Deck Section	Frequency Response	20 mW/ch output into 32 Ω
	Type I (NORMAL)	63 Hz - 12 500 Hz
	Wow And Flutter	0.15 % (WRMS)
CD Player	CD Capacity	3 CDs
	Dynamic Range	85 dB
	Signal-To-Noise Ratio	85 dB
	Wow And Flutter	Unmeasurable
Tuner	FM Tuner	87.5 MHz - 108.0 MHz
	AM Tuner	530 kHz - 1710 kHz (at AM10 kHz channel space) 531 kHz - 1710 kHz (at AM9 kHz channel space)
Unit	Dimensions	276 mm \times 315 mm \times 456 mm (W/H/D)
	Mass	Approx. 8 kg
Speaker Specifications SP-MXKB2/SP-MXKB1 (each unit)	Type	2-way bass-reflex type
	Speaker Unit	Woofer : 13 cm cone \times 1
		Tweeter : 5cm cone \times 1
	Power Handling Capacity	30 W
	Impedance	6 Ω
	Frequency Range	65 Hz - 20,000 Hz
	Sound pressure level	86 dB/W·m
Dimensions	208 mm \times 323 mm \times 264 mm (W/H/D)	
Power Specifications	Power Requirements	AC 110/127/220/230-240V , adjustable with voltage selector, 50/60 Hz
	Power Consumption	83 W (power on mode) 13 W (in Standby mode)

Design and specifications are subject to change without notice.

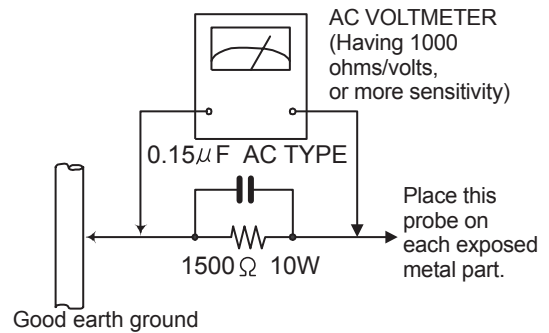
SECTION 1 PRECAUTION

1.1 Safety Precautions

- (1) This design of this product contains special hardware and many circuits and components specially for safety purposes. For continued protection, no changes should be made to the original design unless authorized in writing by the manufacturer. Replacement parts must be identical to those used in the original circuits. Services should be performed by qualified personnel only.
- (2) Alterations of the design or circuitry of the product should not be made. Any design alterations of the product should not be made. Any design alterations or additions will void the manufacturer's warranty and will further relieve the manufacturer of responsibility for personal injury or property damage resulting therefrom.
- (3) Many electrical and mechanical parts in the products have special safety-related characteristics. These characteristics are often not evident from visual inspection nor can the protection afforded by them necessarily be obtained by using replacement components rated for higher voltage, wattage, etc. Replacement parts which have these special safety characteristics are identified in the Parts List of Service Manual. Electrical components having such features are identified by shading on the schematics and by (Δ) on the Parts List in the Service Manual. The use of a substitute replacement which does not have the same safety characteristics as the recommended replacement parts shown in the Parts List of Service Manual may create shock, fire, or other hazards.
- (4) The leads in the products are routed and dressed with ties, clamps, tubings, barriers and the like to be separated from live parts, high temperature parts, moving parts and/or sharp edges for the prevention of electric shock and fire hazard. When service is required, the original lead routing and dress should be observed, and it should be confirmed that they have been returned to normal, after reassembling.
- (5) Leakage shock hazard testing
After reassembling the product, always perform an isolation check on the exposed metal parts of the product (antenna terminals, knobs, metal cabinet, screw heads, headphone jack, control shafts, etc.) to be sure the product is safe to operate without danger of electrical shock. Do not use a line isolation transformer during this check.
 - Plug the AC line cord directly into the AC outlet. Using a "Leakage Current Tester", measure the leakage current from each exposed metal part of the cabinet, particularly any exposed metal part having a return path to the chassis, to a known good earth ground. Any leakage current must not exceed 0.5mA AC (r.m.s.).
 - Alternate check method
Plug the AC line cord directly into the AC outlet. Use an AC voltmeter having, 1,000 Ω per volt or more sensitivity in the following manner. Connect a 1,500 Ω 10W resistor paralleled by a 0.15 μ F AC-type capacitor between an exposed metal part and a known good earth ground. Measure the AC voltage across the resistor with the AC

voltmeter.

Move the resistor connection to each exposed metal part, particularly any exposed metal part having a return path to the chassis, and measure the AC voltage across the resistor. Now, reverse the plug in the AC outlet and repeat each measurement. Voltage measured any must not exceed 0.75 V AC (r.m.s.). This corresponds to 0.5 mA AC (r.m.s.).



1.2 Warning

- (1) This equipment has been designed and manufactured to meet international safety standards.
- (2) It is the legal responsibility of the repairer to ensure that these safety standards are maintained.
- (3) Repairs must be made in accordance with the relevant safety standards.
- (4) It is essential that safety critical components are replaced by approved parts.
- (5) If mains voltage selector is provided, check setting for local voltage.

1.3 Caution

Burrs formed during molding may be left over on some parts of the chassis.

Therefore, pay attention to such burrs in the case of pre-forming repair of this system.

1.4 Critical parts for safety

In regard with component parts appearing on the silk-screen printed side (parts side) of the PWB diagrams, the parts that are printed over with black such as the resistor (■), diode (■) and ICP (●) or identified by the " Δ " mark nearby are critical for safety. When replacing them, be sure to use the parts of the same type and rating as specified by the manufacturer. (This regulation does not Except the J and C version)

1.5 Preventing static electricity

Electrostatic discharge (ESD), which occurs when static electricity stored in the body, fabric, etc. is discharged, can destroy the laser diode in the traverse unit (optical pickup). Take care to prevent this when performing repairs.

1.5.1 Grounding to prevent damage by static electricity

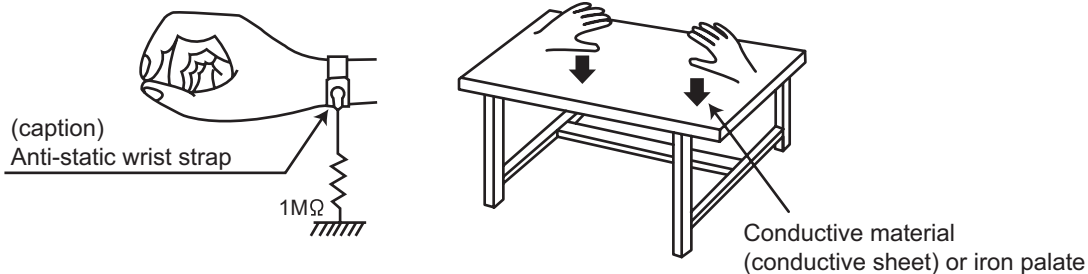
Static electricity in the work area can destroy the optical pickup (laser diode) in devices such as laser products. Be careful to use proper grounding in the area where repairs are being performed.

(1) Ground the workbench

Ground the workbench by laying conductive material (such as a conductive sheet) or an iron plate over it before placing the traverse unit (optical pickup) on it.

(2) Ground yourself

Use an anti-static wrist strap to release any static electricity built up in your body.



(3) Handling the optical pickup

- In order to maintain quality during transport and before installation, both sides of the laser diode on the replacement optical pickup are shorted. After replacement, return the shorted parts to their original condition. (Refer to the text.)
- Do not use a tester to check the condition of the laser diode in the optical pickup. The tester's internal power source can easily destroy the laser diode.

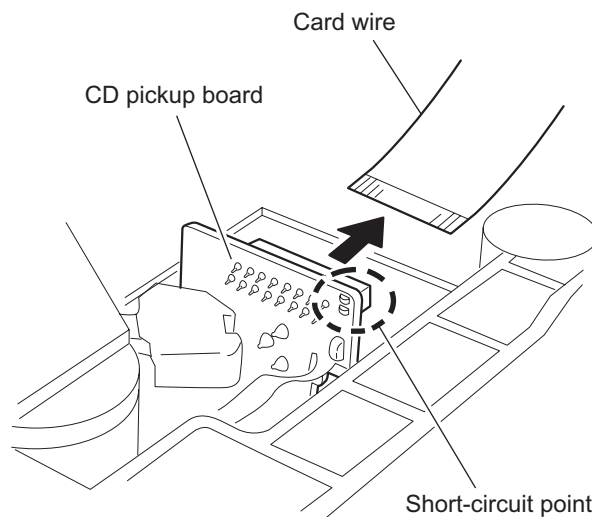
1.6 Handling the traverse unit (optical pickup)

- (1) Do not subject the traverse unit (optical pickup) to strong shocks, as it is a sensitive, complex unit.
- (2) Cut off the shorted part of the flexible cable using nippers, etc. after replacing the optical pickup. For specific details, refer to the replacement procedure in the text. Remove the anti-static pin when replacing the traverse unit. Be careful not to take too long a time when attaching it to the connector.
- (3) Handle the flexible cable carefully as it may break when subjected to strong force.
- (4) It is not possible to adjust the semi-fixed resistor that adjusts the laser power. Do not turn it.

1.7 Attention when traverse unit is decomposed

***Please refer to "Disassembly method" in the text for the pickup unit.**

- Apply solder to the short land sections before the flexible wire is disconnected from the connector on the servo board. (If the flexible wire is disconnected without applying solder, the pickup may be destroyed by static electricity.)
- In the assembly, be sure to remove solder from the short land sections after connecting the flexible wire.



1.8 Important for laser products

1.CLASS 1 LASER PRODUCT


2.DANGER : Invisible laser radiation when open and interlock failed or defeated. Avoid direct exposure to beam.

3.CAUTION : There are no serviceable parts inside the Laser Unit. Do not disassemble the Laser Unit. Replace the complete Laser Unit if it malfunctions.

4.CAUTION : The CD,MD and DVD player uses invisible laser radiation and is equipped with safety switches which prevent emission of radiation when the drawer is open and the safety interlocks have failed or are defeated. It is dangerous to defeat the safety switches.

5.CAUTION : If safety switches malfunction, the laser is able to function.

6.CAUTION : Use of controls, adjustments or performance of procedures other than those specified here in may result in hazardous radiation exposure.

 **CAUTION** Please use enough caution not to see the beam directly or touch it in case of an adjustment or operation check.

CAUTION : Visible and invisible laser radiation when open and interlock failed or defeated.

AVOID DIRECT EXPOSURE TO BEAM.

ADVARSEL : Synlig og usynlig laserstråling når maskinen er åben eller interlocken fejler. Undgå direkte eksponering til stråling.

VARNING : Synlig och osynlig laserstråling när den öppnas och spärren är urkopplad. Betrakta ej strålen.

VARO : Avattaessa ja suojalukitus ohitettuna tai viallisena olet alltiina näkyvälle ja näkymättömälle lasersäteilylle. Vältä säteen kohdistumista suoraan itseesi.

REPRODUCTION AND POSITION OF LABELS

WARNING LABEL

CAUTION : Visible and invisible laser radiation when open and interlock failed or defeated. AVOID DIRECT EXPOSURE TO BEAM. (e)	ADVARSEL : Synlig og usynlig laserstråling når maskinen er åben eller interlocken fejler. Undgå direkte eksponering til stråling. (d)	VARNING : Synlig och osynlig laserstråling när den öppnas och spärren är urkopplad. Betrakta ej strålen. (s)	VARO : Avattaessa ja suojalukitus ohitettuna tai viallisena olet alltiina näkyvälle ja näkymättömälle lasersäteilylle. Vältä säteen kohdistumista suoraan itseesi. (f)
---	--	---	---

CLASS 1
LASER PRODUCT

CAUTION : Visible and invisible laser radiation when open and interlock failed or defeated. AVOID DIRECT EXPOSURE TO BEAM. (e)	VARO : Avattaessa ja suojalukitus ohitettuna tai viallisena olet alltiina näkyvälle ja näkymättömälle lasersäteilylle. Vältä säteen kohdistumista suoraan itseesi. (f)
VARNING : Synlig och osynlig laserstråling när den öppnas och spärren är urkopplad. Betrakta ej strålen. (s)	ADVARSEL : Synlig og usynlig laserstråling når maskinen er åben eller interlocken fejler. Undgå direkte eksponering til stråling. (d)

SECTION 2 SPECIFIC SERVICE INSTRUCTIONS

This service manual does not describe SPECIFIC SERVICE INSTRUCTIONS.

SECTION 3 DISASSEMBLY

3.1 Main body

3.1.1 Removing the top cover / side cover (R) and (L) (See Fig.1 to 6)

- (1) From the back of the body, remove the two screws **A** attaching the top cover.
- (2) From both sides of the body, remove the four screws **B** attaching the top cover and the side cover (R) and (L). Move the top cover in the direction of the arrow to release from the front panel at the two joints **a**.
- (3) Remove the six screws **D** on the back of the body and the two screws **E** on the side of the body. Move the side cover (R) and (L) backward to release the four joints **b** on the bottom of the side covers.

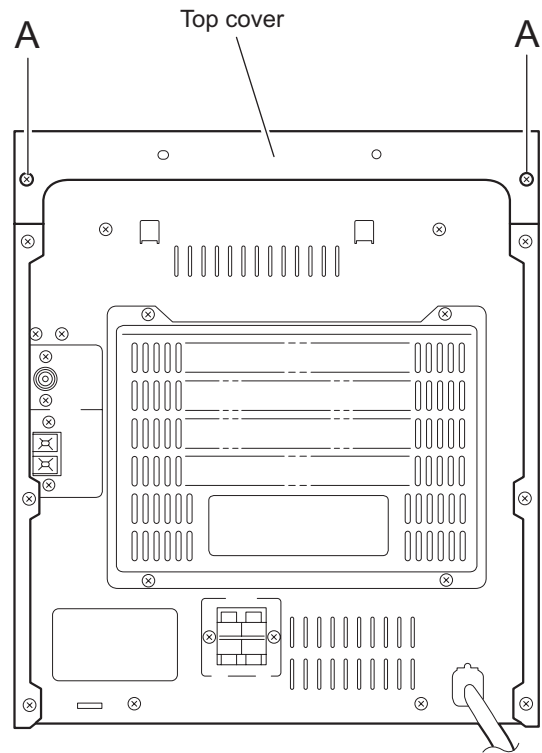


Fig.1

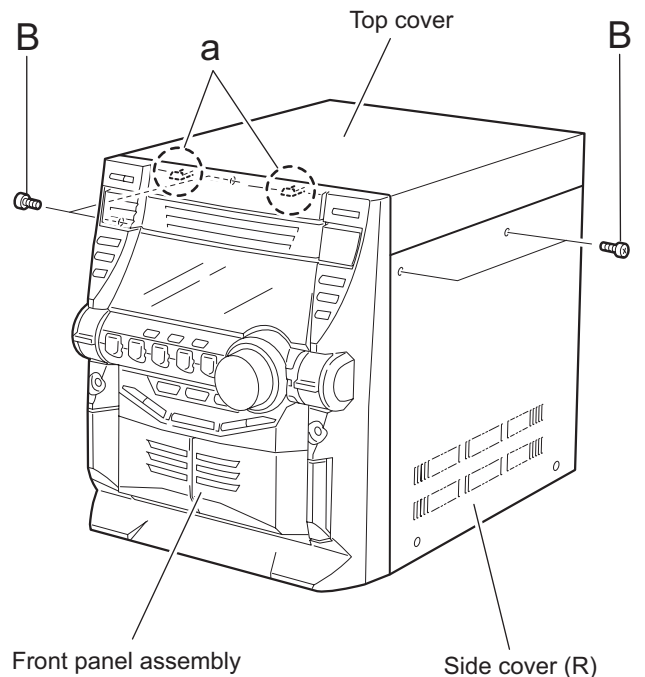


Fig.2

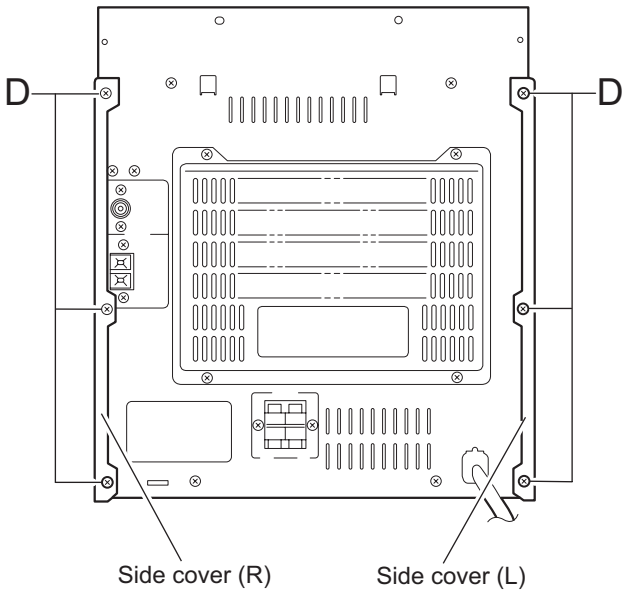


Fig.3

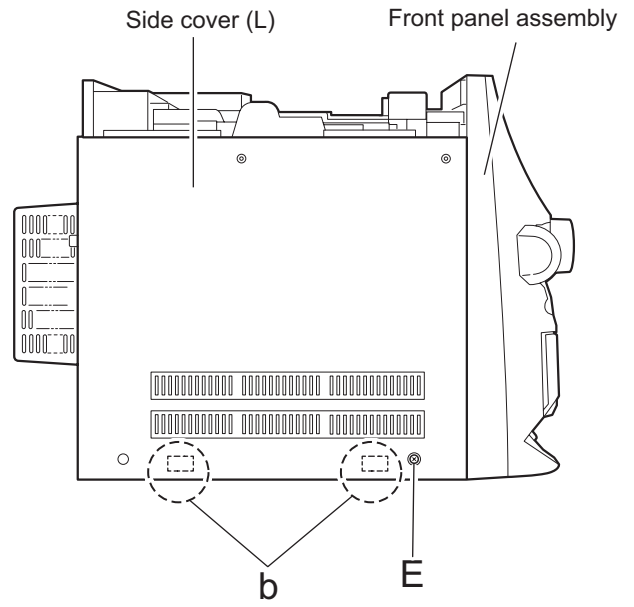


Fig.5

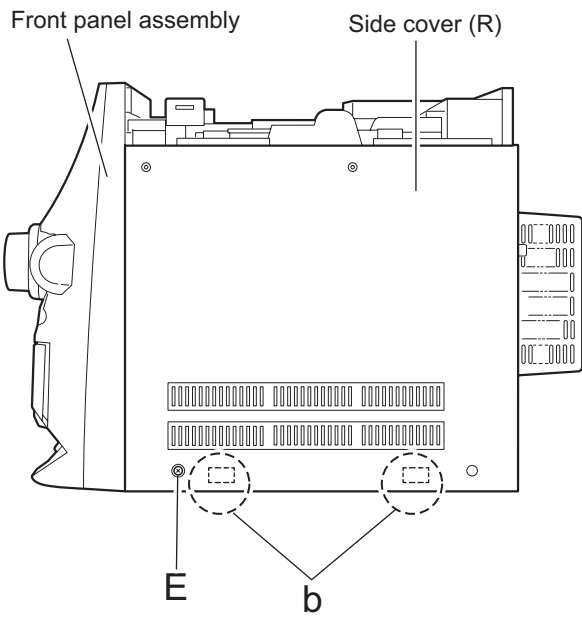
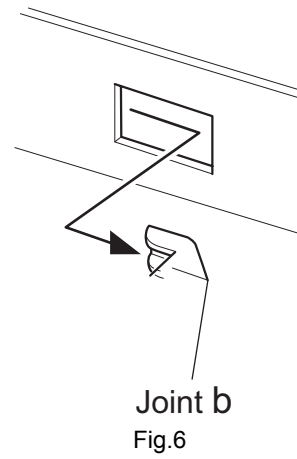


Fig.4



Joint b
Fig.6

3.1.2 Removing the CD fitting (See Fig.7 to 9)

- Prior to performing the following procedure, remove the top cover / side cover (R) and (L).

Caution:

For preventing from damage, make sure to remove the CD fitting before detaching the CD changer mechanism unit.

- (1) Push STANDBY / ON key to turn power on.
- (2) Push CD TRAY EJECT key.
- (3) Move the CD fitting in the direction of the arrow to release from the CD tray at two joints **d**.
- (4) Push STANDBY / ON key to close the tray.

3.1.3 Removing the CD fitting (See Fig.8 to 10)

< How to eject the CD tray without turning power on >

- Prior to performing the following procedure, remove the top cover / side cover(R) and (L).
- (1) Turn over the CD changer mechanism unit and turn the loading pulley gear at **e** in the inner part of the notch of the main board to move the CD tray forward.
 - (2) Move the CD fitting in the direction of the arrow to release from the CD tray at two joint **d**.
 - (3) Manually push and close the CD tray.

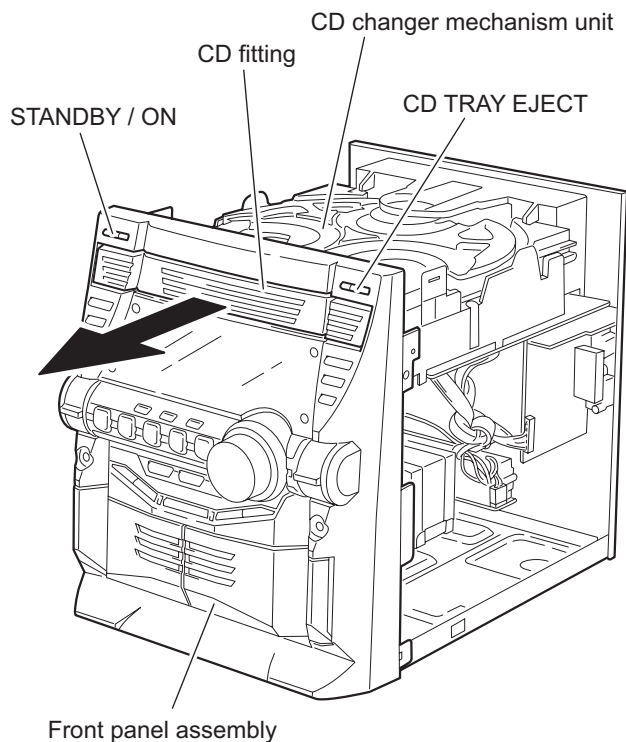


Fig.7

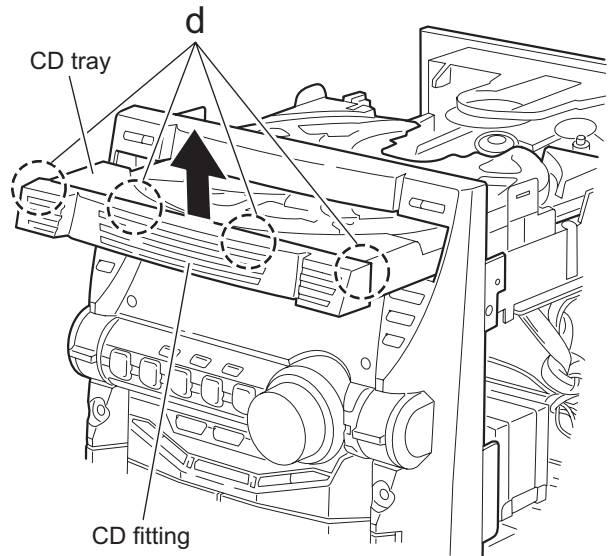


Fig.8

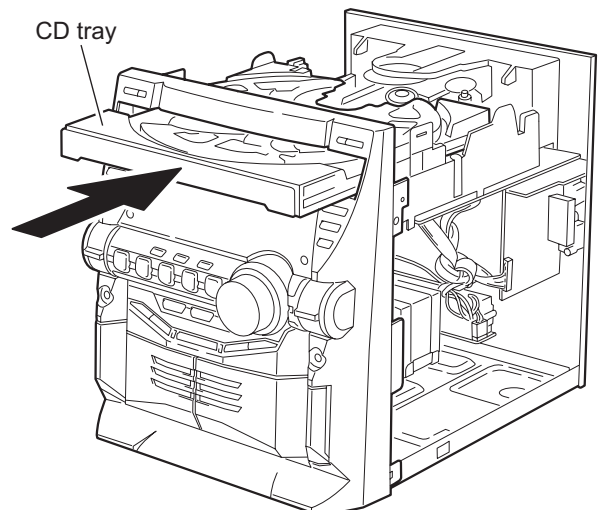


Fig.9

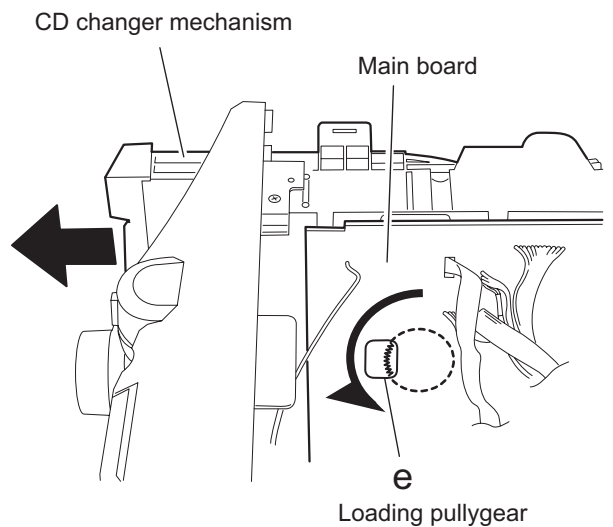


Fig.10

3.1.4 Removing the CD changer mechanism unit (See Fig.11 to 16)

- Prior to performing the following procedure, remove the top cover / side cover (R) and (L), and the CD fitting.
 - (1) Disconnect the wire from connector [CN601](#) on the turner board on the right side of the body.
 - (2) Disconnect the wire from connector [CN504](#) on the AUX board on the inner side of the front panel.
 - (3) Disconnect the wire from connector [CN801](#), [CN802](#) and [CN803](#) on the power board.
 - (4) Disconnect the wire from connector [CN100](#), [CN101](#) and [CN207](#) on the main board at the bottom of the CD changer mechanism unit, and disconnect the card wire from connector [CN103](#). If necessary, release the band attaching the wires.
 - (5) From the side of the body, remove the two screws **F** attaching the CD changer mechanism unit.
 - (6) From the back of the body, remove the two screws **G** attaching the CD changer mechanism unit.
 - (7) Move the CD changer mechanism unit in the direction of the arrow while pulling the rear panel backward, and remove the CD changer mechanism unit.

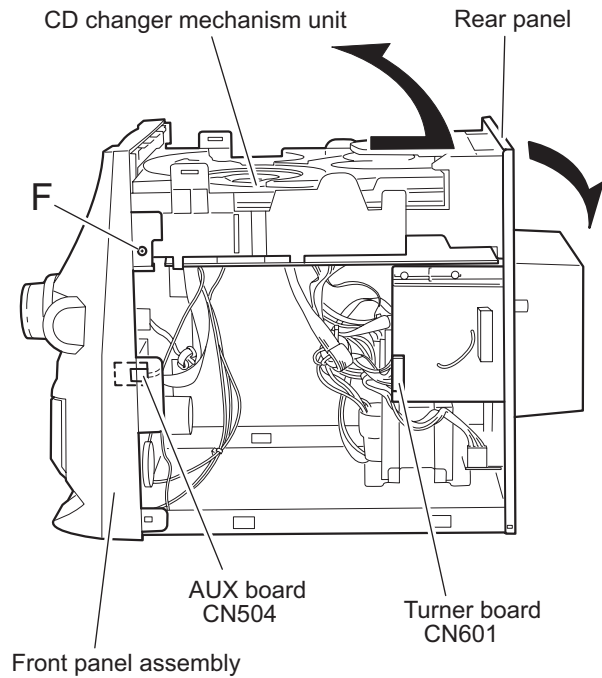


Fig.11

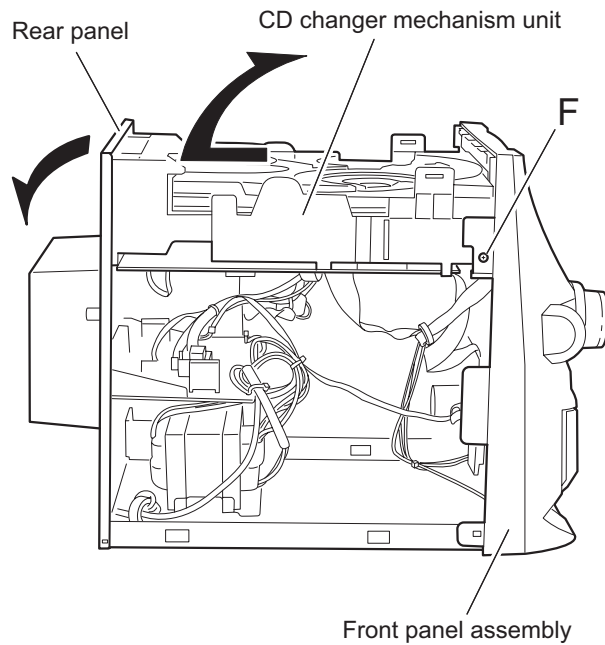


Fig.12

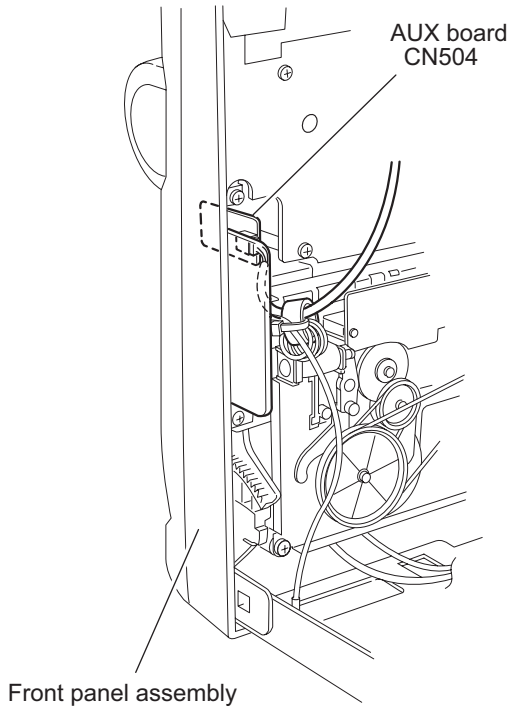


Fig.13

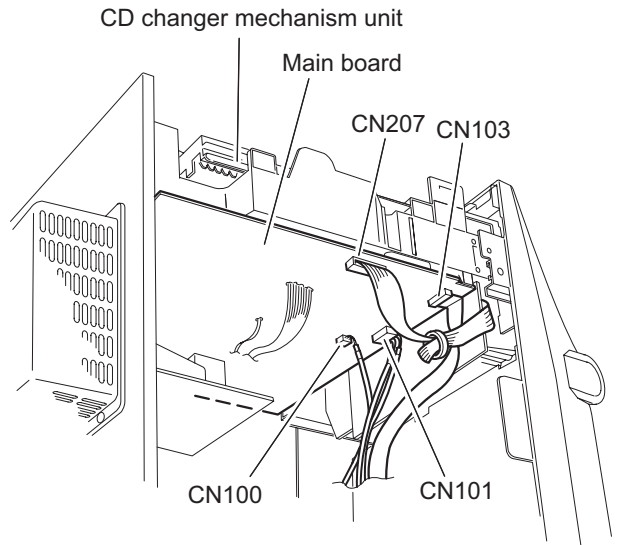


Fig.15

Rear panel

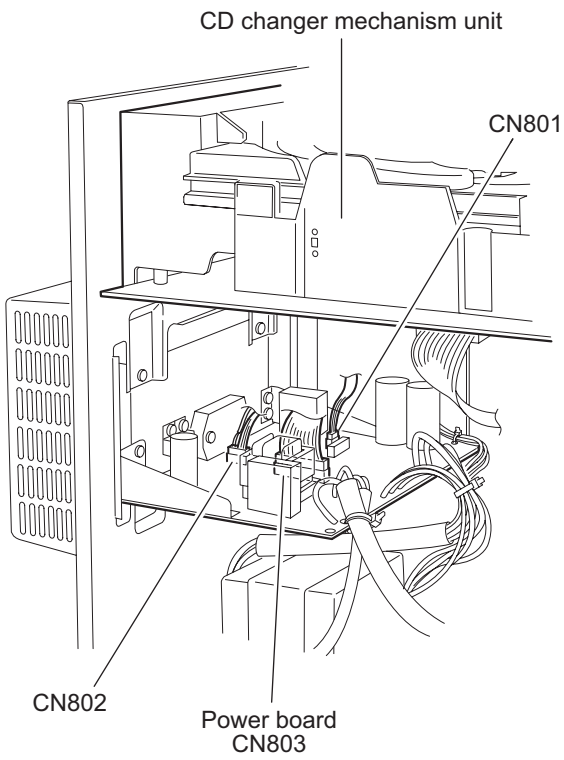


Fig.14

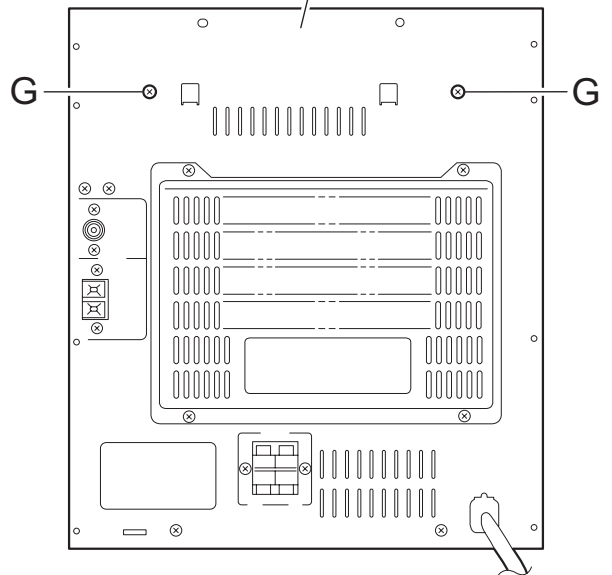


Fig.16

3.1.5 Removing the tuner board (See Fig.17, 18)

- Prior to performing the following procedure, remove the top cover / side cover (R) and (L).
 - (1) Disconnect the wire from connector [CN601](#) on the tuner board.
 - (2) From the back of the body, remove the two screws **H**, the two screws **J** and the two screws **K** attaching the tuner board respectively.
 - (3) Remove the two screws **L** attaching the tuner board holder.

Caution:

You can remove the tuner board without removing the CD changer mechanism unit and the rear panel.

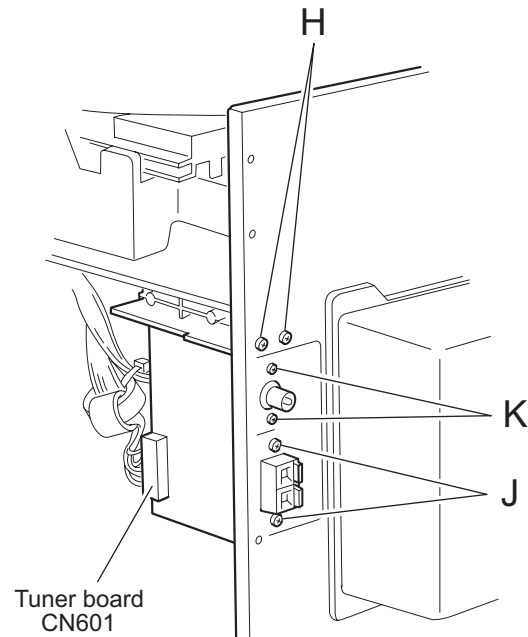


Fig.17

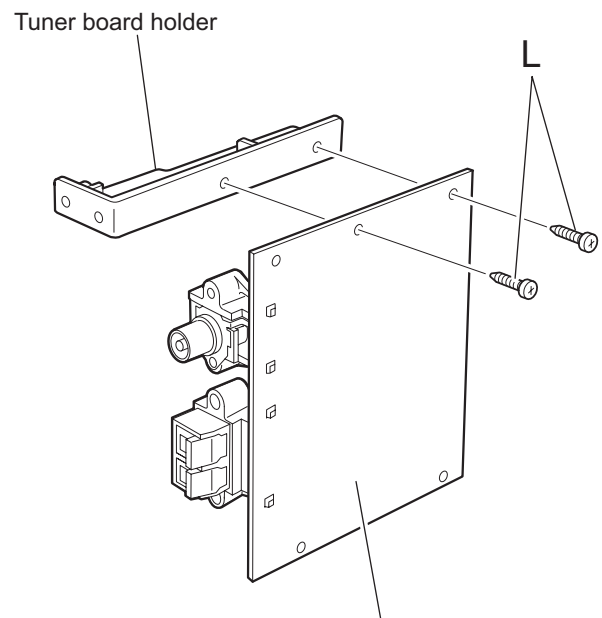


Fig.18

3.1.6 Removing the speaker terminal board (See Fig.19, 20)

- Prior to performing the following procedure, remove the top cover / side cover (R) and (L).
 - (1) Disconnect the wire from connector [CN901](#) on the speaker terminal board.
 - (2) From the back of the body, remove the two screws **M** attaching the speaker terminal board.

Reference:

You can remove the speaker terminal board without detaching the CD changer mechanism unit and the rear panel.

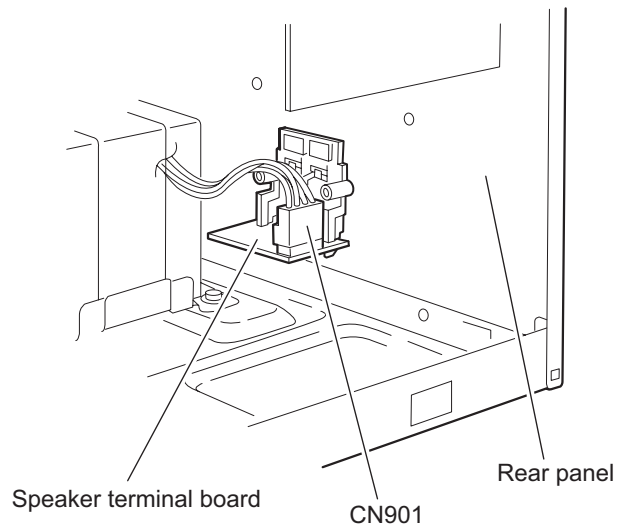


Fig.19

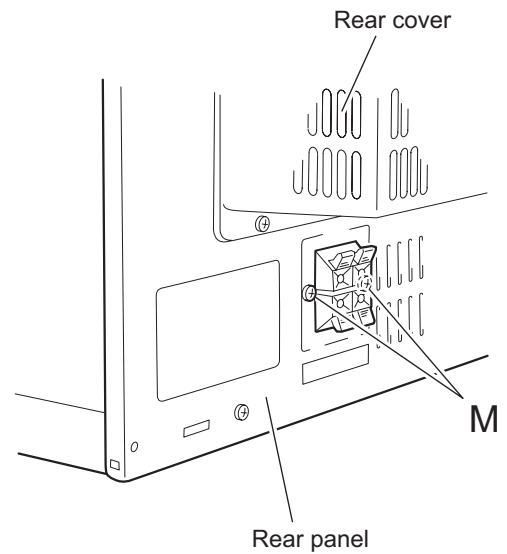


Fig.20

3.1.7 Removing the front panel assembly (See Fig.21 to 24)

- Prior to performing the following procedure, remove the top cover / side cover (R) and (L), the CD fitting / CD changer mechanism unit.
 - (1) Disconnect the wire from connector **CN861** on the power board.
 - (2) Disconnect the earth wire from the base chassis on the bottom of the right side of the body.
 - (3) From the bottom of the body, remove the two screws **N** attaching the front panel assembly.
 - (4) Release the two joints **f** on the side of the body and the joint **g** on the bottom using a screwdriver, and remove the front panel assembly forward.

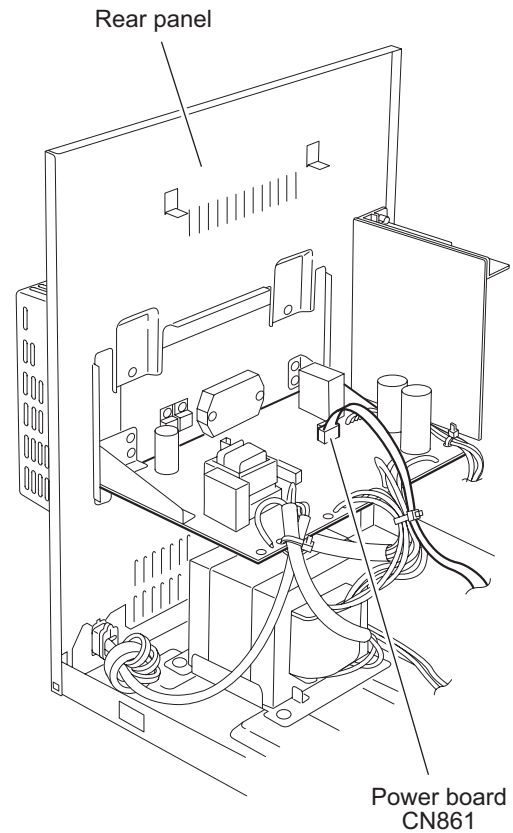


Fig.21

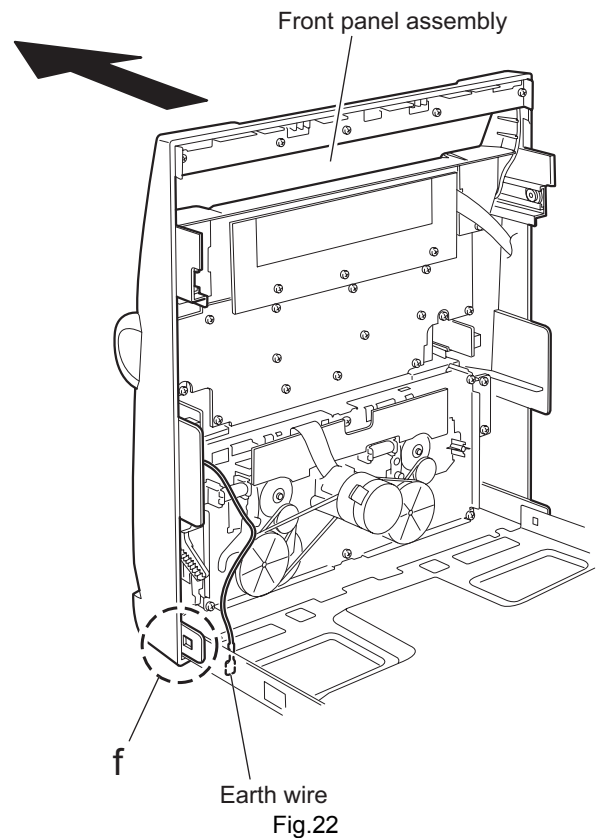


Fig.22

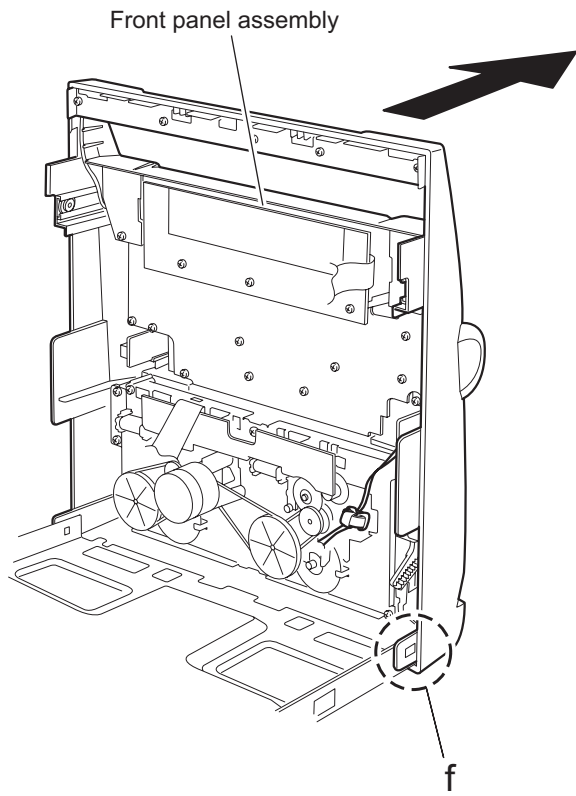


Fig.23

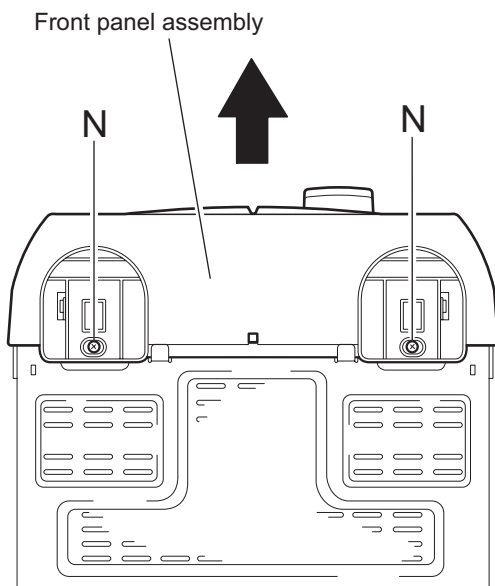
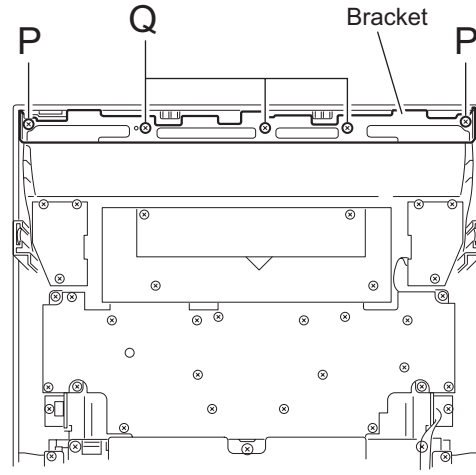


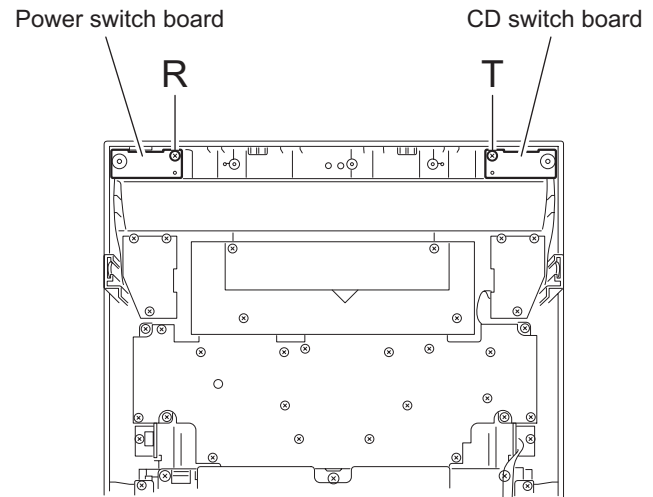
Fig.24

3.1.8 Removing the POWER switch board / CD switch board (See Fig.25, 26)

- Prior to performing the following procedure, remove the front panel assembly.
 - (1) Remove the two screws **P** and the three screws **Q** attaching the bracket.
 - (2) Remove the screws **R** attaching the POWER switch board.
 - (3) Remove the screw **T** attaching the CD switch board.



Front panel assembly
Fig.25



Front panel assembly
Fig.26

3.1.9 Removing the REC select switch board / PROGRAM select switch board (See Fig.27)

- Prior to performing the following procedure, remove the front panel assembly.
 - (1) Remove the three screws **U** attaching the REC select switch board.
 - (2) Remove the three screws **Y** attaching the CD switch board.

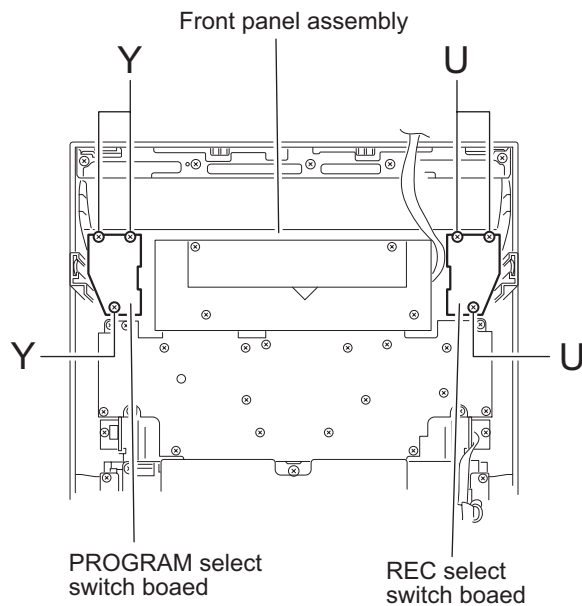


Fig.27

3.1.10 Removing the LCD board / STANDBY board (See Fig.28, 29)

- Prior to performing the following procedure, remove the front panel assembly.
 - (1) Remove the four screws **A'** attaching the LCD board and disconnect the wire from connector **CN505**.
 - (2) Remove the two screws **B'** attaching the STANDBY board.

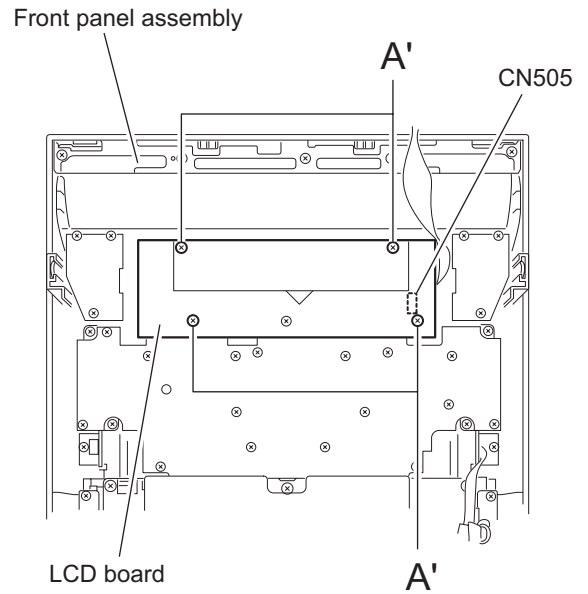


Fig.28

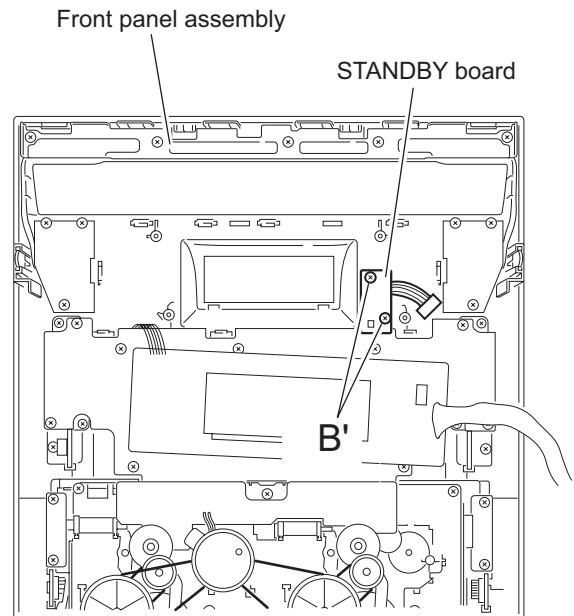


Fig.29

3.1.11 Removing the system board / headphone board / AUX board (See Fig.30 to 34)

- Prior to performing the following procedure, remove the front panel assembly.
 - (1) Pull out the volume knob on the front side of the front panel assembly. Release the three tabs of the knob holder and pull out the knob holder.
 - (2) Remove the nut and the washer from the volume shaft.
 - (3) From the back of the front panel assembly, remove the seventeen screws **D'** attaching the system board.
 - (4) Remove the screw **E'** attaching the headphone board fitting plate and pull out the headphone board.
 - (5) Remove the screw **F'** attaching the AUX board fitting plate and pull out the AUX board.

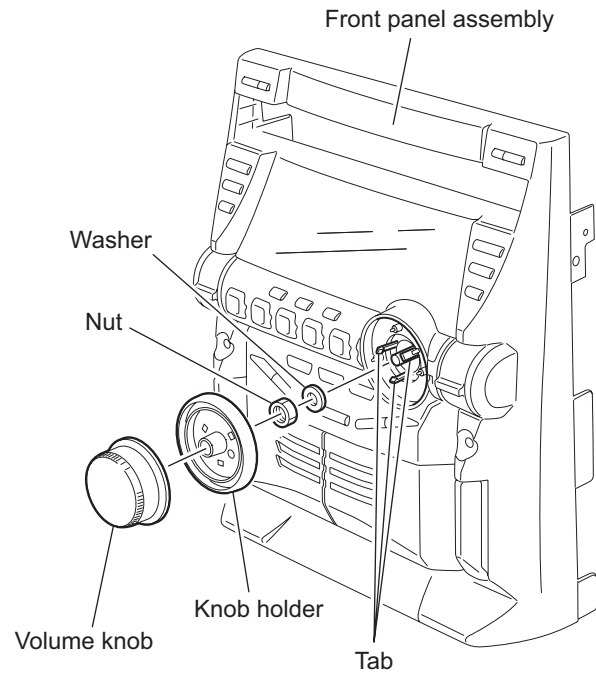


Fig.30

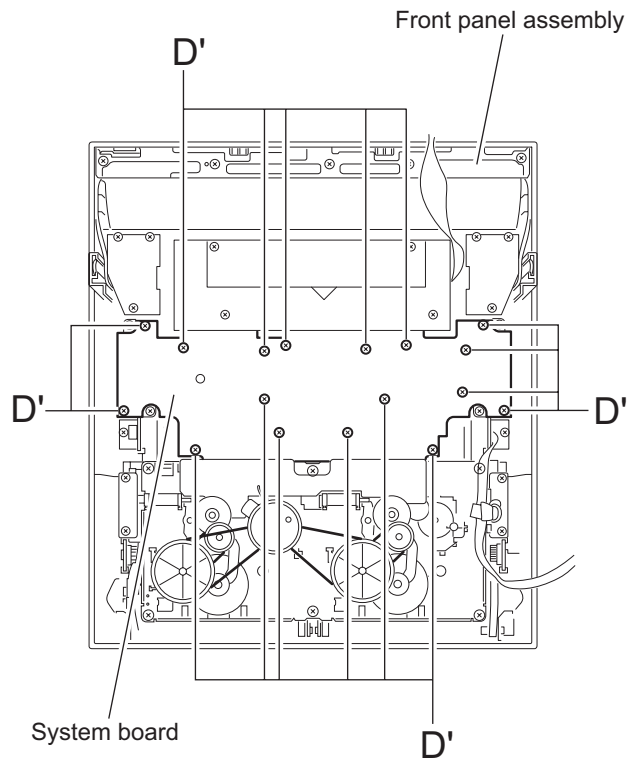
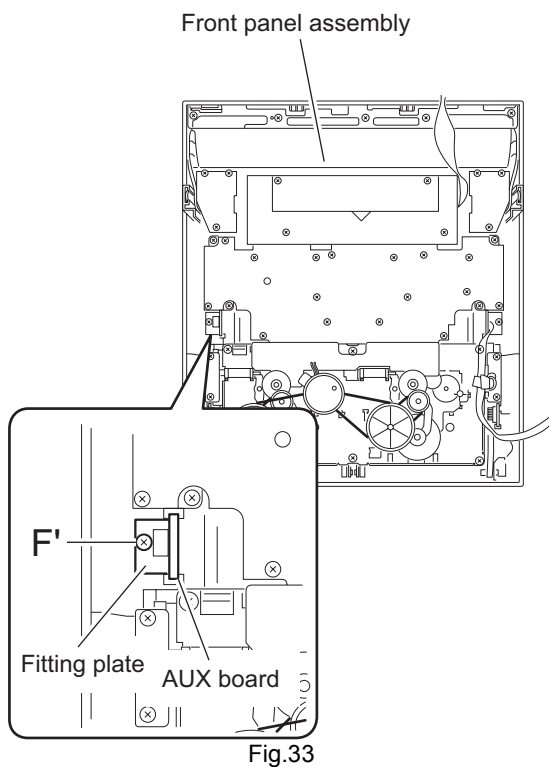
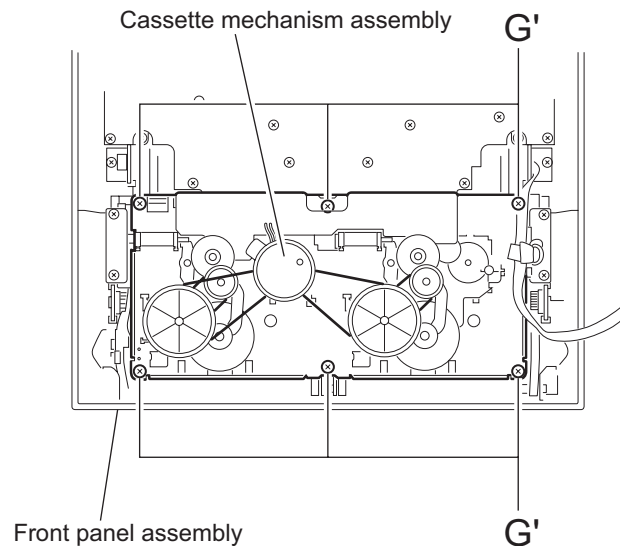
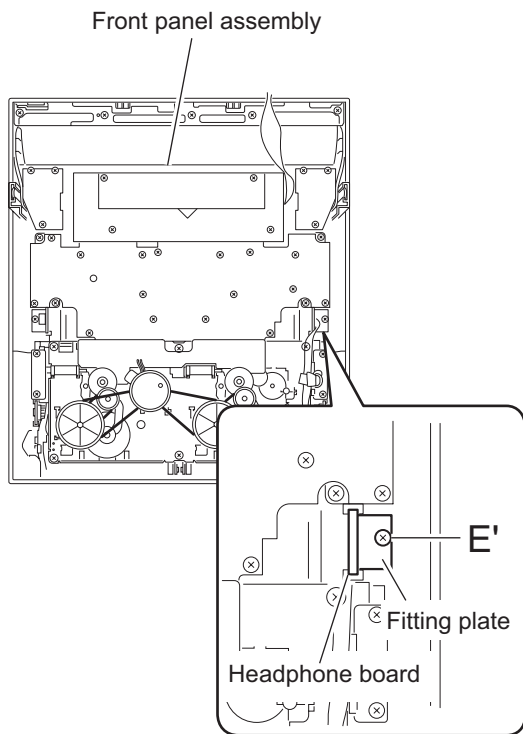
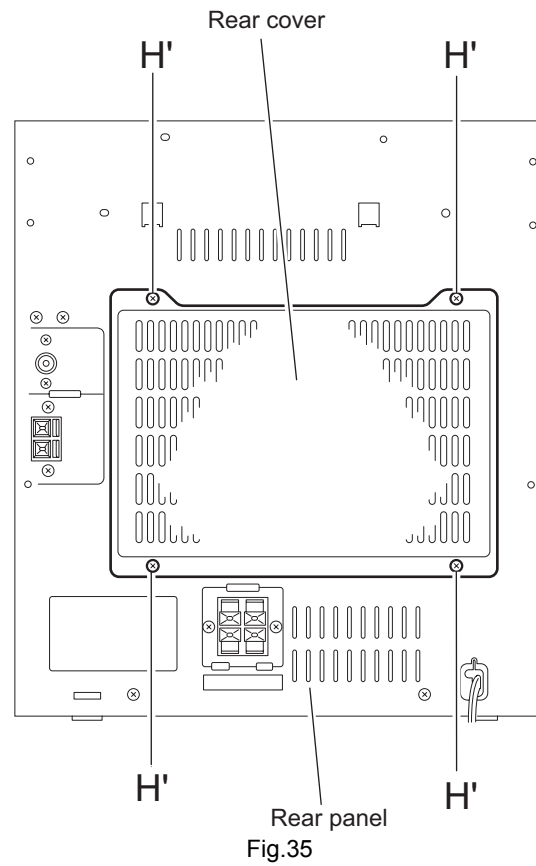


Fig.31



3.1.12 Removing the cassette mechanism assembly (See Fig.35)

- Prior to performing the following procedure, remove the front panel assembly.
(1) Remove the six screws **G'** attaching the cassette mechanism assembly.



3.1.13 Removing the rear cover / rear panel (See Fig.36 to 38)

- Prior to performing the following procedure, remove the top cover / side cover (R) and (L), the CD fitting / CD changer mechanism unit.
 - (1) From the back of the body, remove the four screws **H'** attaching the rear cover.
 - (2) From the back of the body, remove the two screws **J'** attaching the rear panel.
 - (3) Release the two joints **h** on the bottom of the right and left sides of the rear panel, and remove the rear panel. The rear panel comes off with the power board and the heat sink.

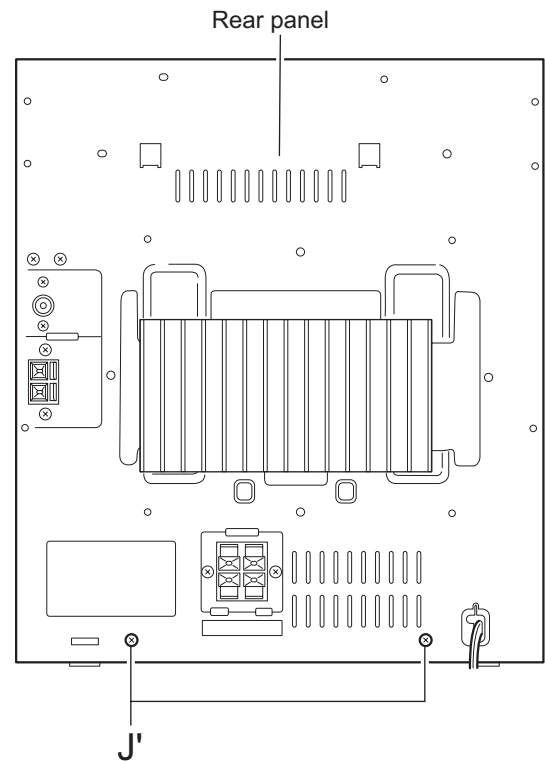


Fig.36

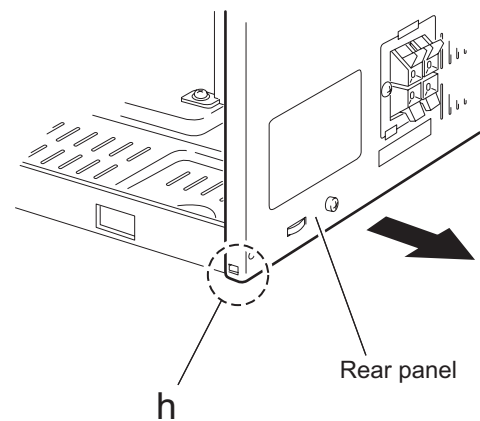


Fig.37

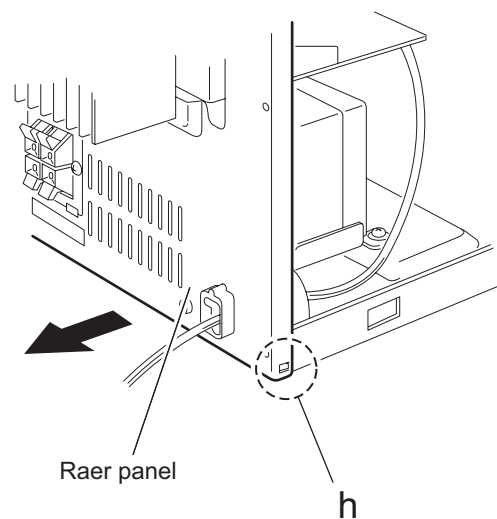


Fig.38

3.1.14 Removing the heat sink / power board (See Fig.39 to 42)

- Prior to performing the following procedure, remove the top cover / side cover (R) and (L), the CD fitting / CD changer mechanism unit, the rear cover / rear panel.
 - (1) From the inner side of the rear panel, remove the four screws **K'** attaching the heat sink. Move the heat sink in the direction of the arrow along the notch of rear panel and remove it with the heat sink and the power board forward.
 - (2) Remove the four screws **M'** and the four screws **N'** attaching the board bracket (R) and (L).
 - (3) Remove the two screws **P'** and the two screws **Q'** attaching the power board.
 - (4) If necessary, unsolder the power cord and the wire extending from the power transformer assembly.

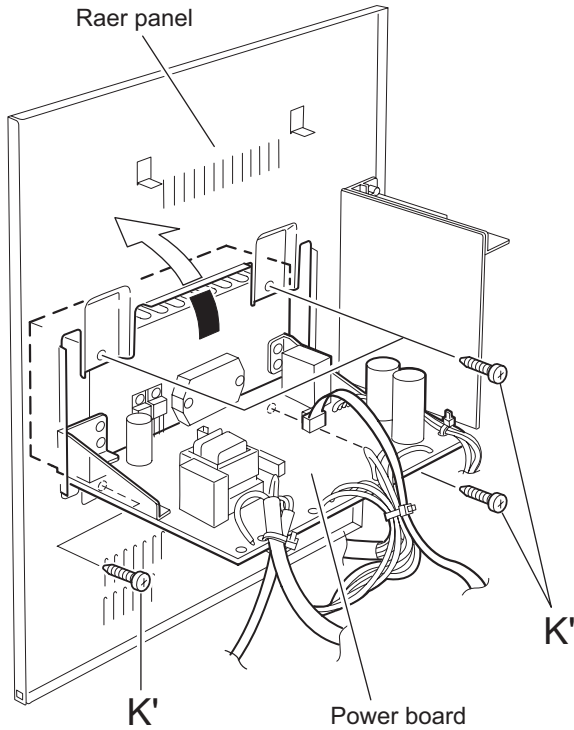


Fig.39

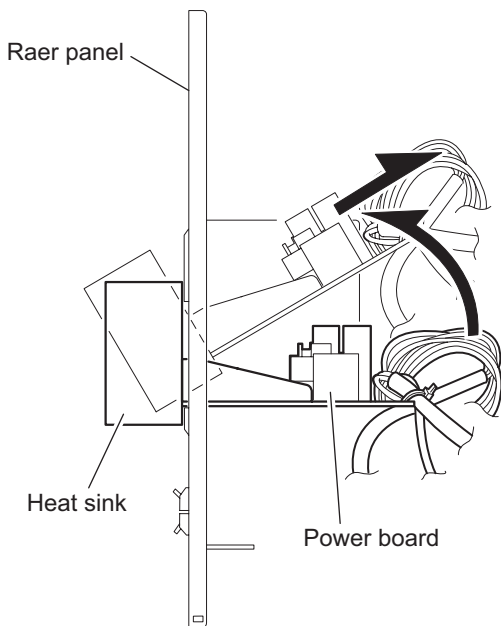


Fig.40

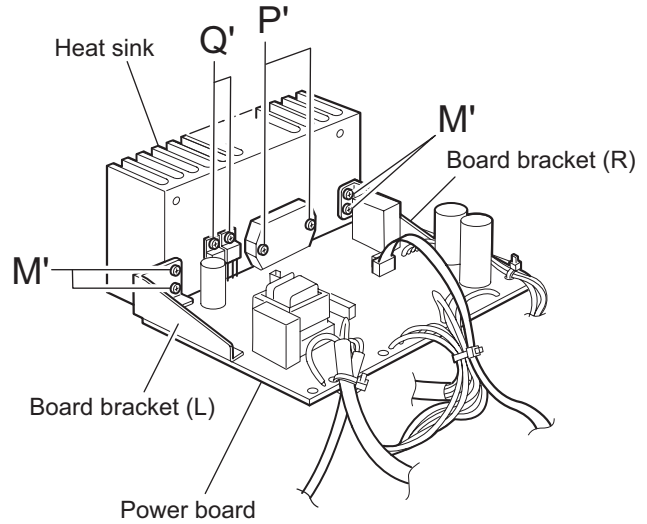


Fig.41

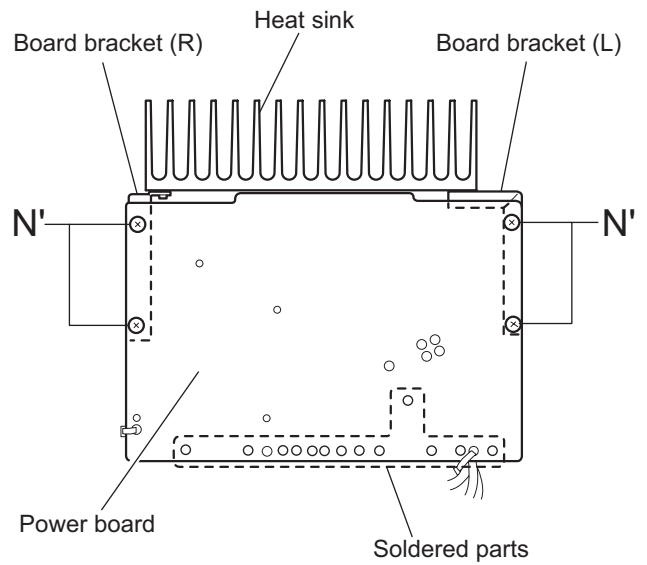


Fig.42

3.1.15 Removing the power transformer assembly (See Fig.43)

- Prior to performing the following procedure, remove the top cover / side cover (R) and (L), the CD fitting / CD changer mechanism unit and the rear cover / rear panel.
 - (1) Move the cord stopper in the direction of the arrow and disconnect the power cord.
 - (2) Remove the four screws **R'** attaching the power transformer assembly.
If necessary, unsolder each wire.

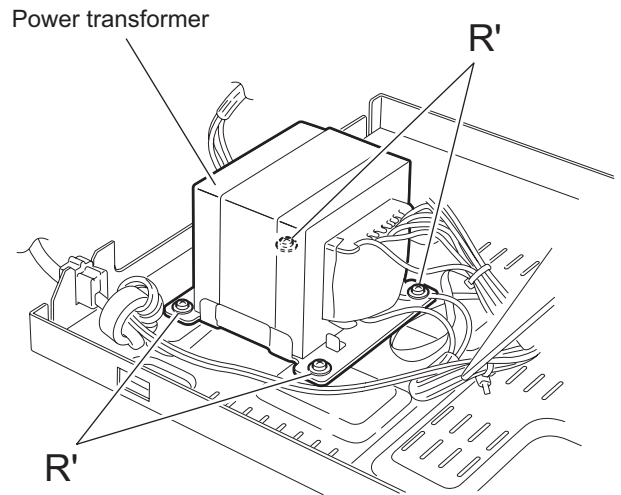


Fig.43

3.1.16 Removing the main board (See Fig.44 to 46)

- Prior to performing the following procedure, remove the top cover / side cover (R) and (L), the CD fitting / CD changer mechanism unit.

Caution:

Before disconnecting the card wire from the CD pickup board and connector [CN401](#) on the main board, make sure to solder the short-circuit point on the CD pickup board. If you do not follow this instruction, the pick up may be damaged.

- (1) From the bottom of the CD changer mechanism unit, remove the two screws **T'** and the four screws **U'** attaching the main board.
- (2) Disconnect the wire from connector on the main board.
- (3) Move the main board in the direction of the arrow as show in Fig.45, disconnect the wire from connector on the motor board in the inner part of the main board.
- (4) Move the main board turning in the direction of the arrow ash shown in Fig.45.
- (5) Solder the short-circuit point on the CD pickup board and disconnect the wire from the CD pickup board.

Caution:

When reattaching the main board, make sure to connect the card wire to connector [CN401](#) on the main board and to the CD pickup board before unsoldering the short-circuit point.

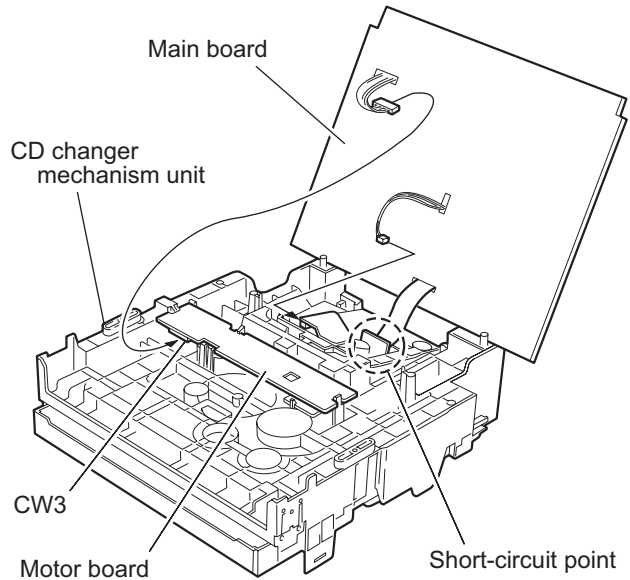
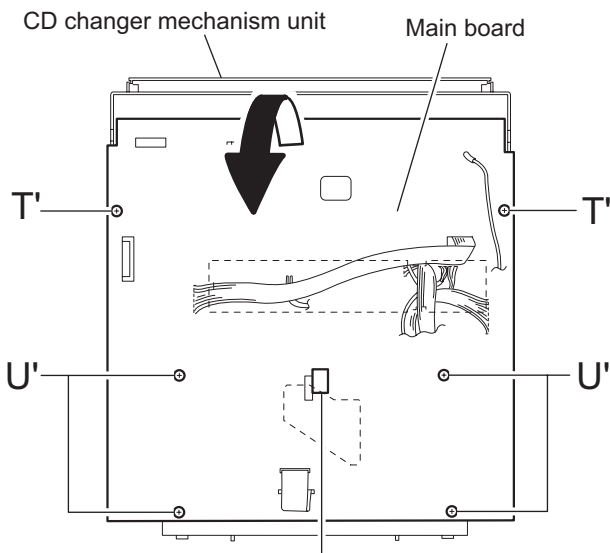


Fig.45

Card wire



Connector
Fig.44

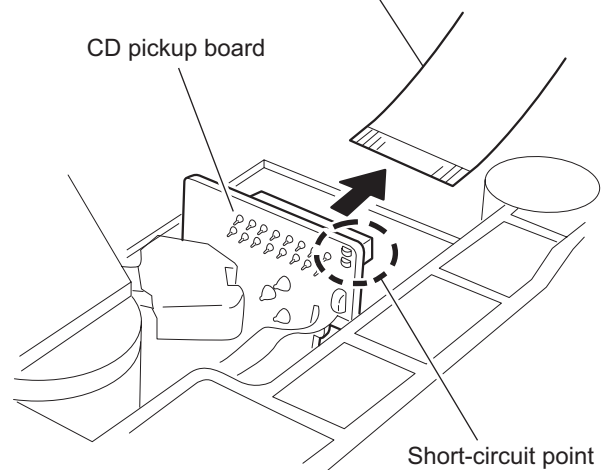


Fig.46

Short-circuit point

3.2 Speaker

3.2.1 Removing the front cabinet (See Fig.1 to 3)

Caution:

When performing the following procedure, apply the cloth to the product for preventing it from damage.

- (1) Put the screwdriver into the two notch a at the bottom of the speaker, and remove the front panel assembly while pulling out the six bosses on the inner side of the front panel assembly forward.

Caution:

The six bosses are attached with bond. Apply the cloth to the product for protect from damage, and pull out each boss carefully.

- (2) Disconnect the two wires of the main speaker terminal from the back of the front panel assembly.
- (3) Disconnect the two wires of the sub speaker terminal from the back of the front panel assembly.

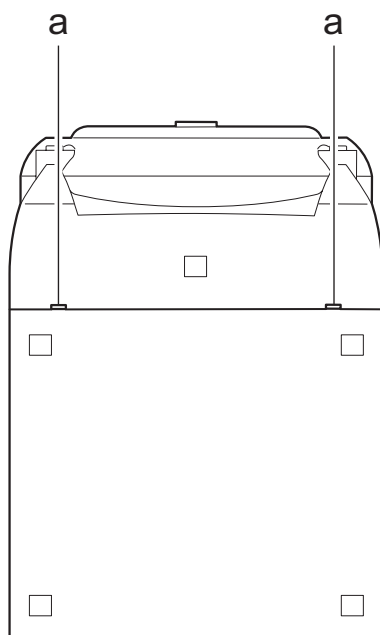


Fig.1

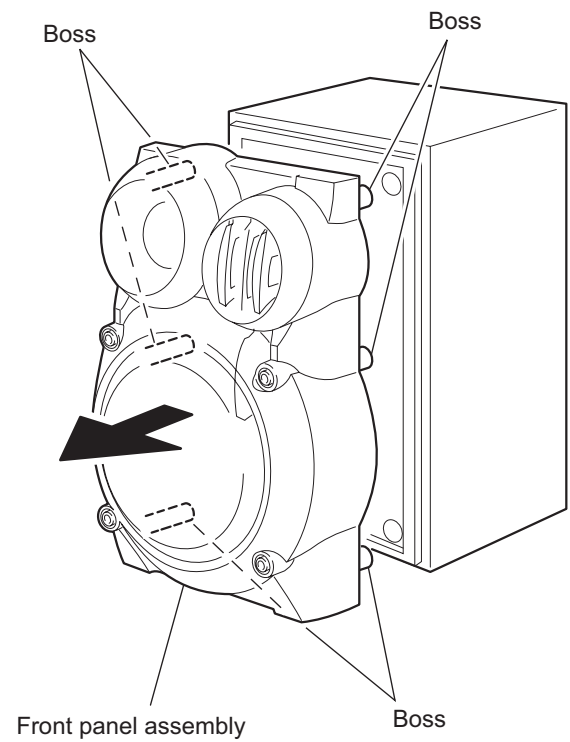
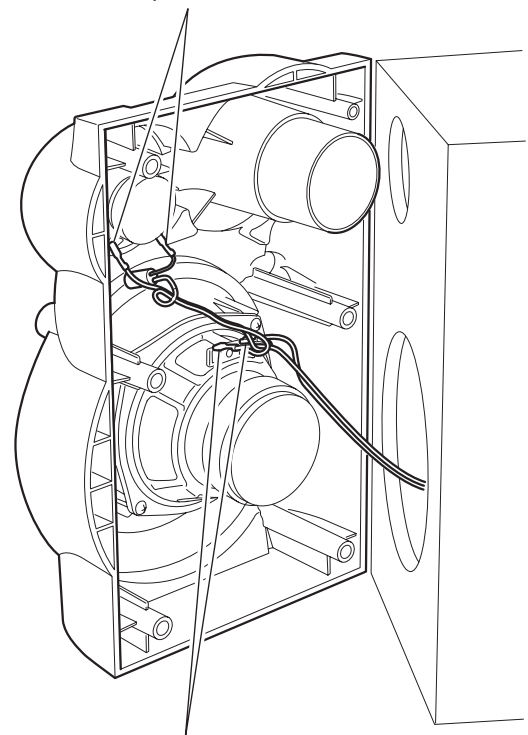


Fig.2

Sub speaker terminal



Main speaker terminal
Fig.3

3.2.2 Removing the main speaker / sub speaker (See Fig.4)

- Prior to performing the following procedure, remove the front cabinet.
 - (1) Remove the four screws **A** attaching the main speaker.
 - (2) Remove the two screws **B** attaching the sub speaker.

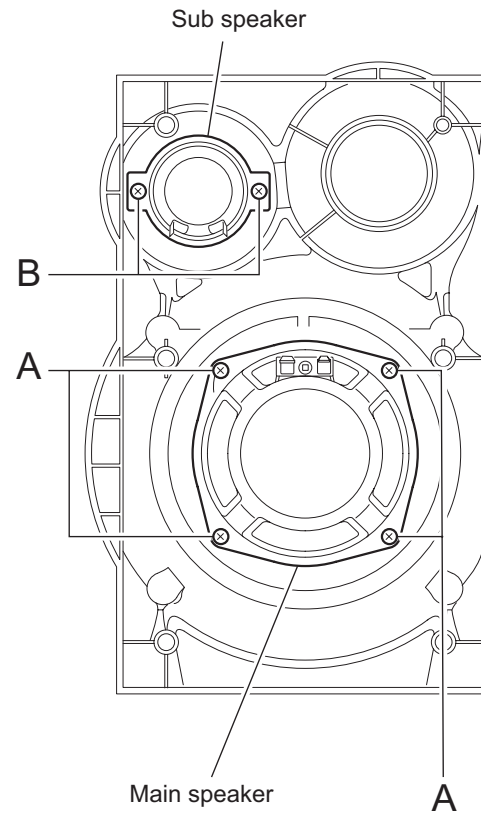


Fig.4

SECTION 4 ADJUSTMENT

4.1 Measurement Instruments Required for Adjustment

- (1) AM signal generator
- (2) FM signal generator
- (3) Intermediate frequency sweep generator
- (4) FM stereo signal generator
- (5) Low-frequency oscillator
(oscillation frequency 50Hz-20kHz, 0dB output with 600 Ω impedance)
- (6) Attenuator (600 Ω impedance)
- (7) Electronic voltmeter
- (8) Distortion meter
- (9) Wow & Flutter meter
- (10) Frequency counter meter
- (11) Test tape
VT712 : for Tape speed and wow flutter
VT724 : for reference level
VT703L : for head azimuth adjustment
Blank tape for recording

4.2 Measurement conditions

Radio section

- FM 1 kHz, 22.5 kHz deviation
- FM STEREO : 1 kHz, 67.5 kHz deviation pilot signal 7.5 kHz
- AM : 1 kHz, 30 % modulation
- Reference output :Headphone output (0.15V) 32 Ω
Speaker output 1W (2.5V) 6 Ω

Cassette amp section : 1 kHz

- Reference output :Headphone output (0.15V) 32 Ω
Speaker output 1 W (2.5V) 6 Ω
- Standard mode of function knob:Press TAPE knob of select TAPE mode

CD section

- CD test disc : CTS-1000

4.3 Cassette amp section

Item	Measuring condition	Check and adjustment procedure	Standard value	Adjusting part
Head azimuth adjustment	Test tape : VT703L Signal output terminal : SPK out (with 6 ohm load)	1. Playback the test tape VT703L. 2. Adjust the head azimuth adjusting screw so that the phase difference between the R and L channels is minimized at an output level that is within (20dB of the maximum output level. After this adjustment. Lock the head azimuth adjusting screw with screw sealant to cover more than a half of the screw head. 3. When the head azimuth is maladjusting correct it with the head azimuth adjusting screw.	Output level : Within (2 dB of Maximum output level. *Phase difference R and L channels : Minimum	Head azimuth adjusting screw (To be use only after head replacement)
Tape speed and wow/flutter check and adjustment	Test tap : VT712 Signal output terminal : SPK out (with 6 ohm load)	1. Playback the test tape VT712 by the end portion. 2. Connect a frequency counter and check that it reads between 2940 and 3090 Hz. If not, adjust the frequency with the motor semifixed resistor. 3. Check that the wow/flutter is within 0.35% (unweighed).	2940 to 3090 Hz within 0.35% (unweighted)	Tape speed Motor semifixed resistor Check only
Bias frequency chek	Test tape : B Signal output terminal : Cassette REC/Play head	Set the Tuner or CD function and with TAPE to record check to see if the frequency at the measuring point REC-IF is 85 kHz if not adjust T100 until the frequency counter indicates 85 kHz+1kHz-1kHz.	Level difference for 1 kHz signal : within (0+3dB-6dB)	
Rec anf PB frequency response adjustment	Test tape : Brank tape Signal input : CD 1 kHz -20 dBs Signal output terminal : SPK out (with 6 ohm load)	Record the reference CD 1 kHz signal and 10 kHz signal alternately repeatedly. While playing back the recorded signal of the 1 kHz signal doffer from that of the 10 kHz signal by within (0+3dB-6dB).	Level difference for 1 kHz signal : within (0+3dB-6dB)	

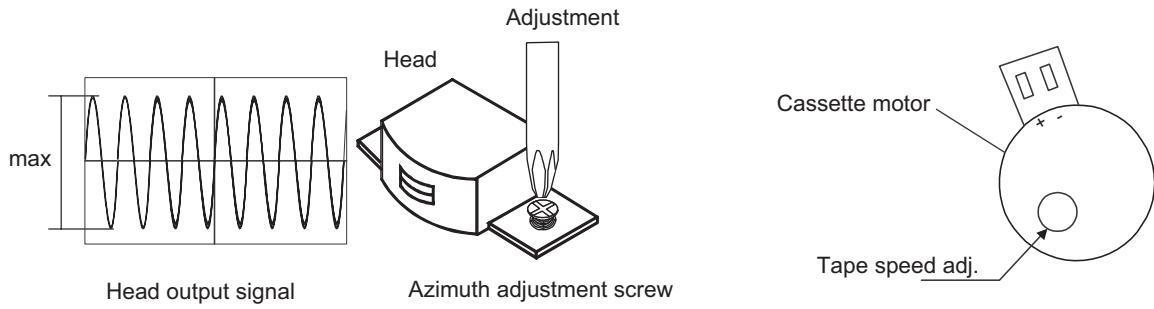
4.4 Tuner section (B/EV version)

Item	Measuring condition	Check and adjustment procedure	Standard value	Adjusting part
AM IF adjustment	Signal input : Loop antenna Signal output : IC602 pin 16 TP7	1. Set the intermediate frequency sweep generator to AM 450 kHz. 2. Adjust IFT601 for maximum and center output		IFT601
AM tracking adjustment	Signal input : Loop antenna signal output : H.phone out (with 32 ohm load)	1. Set the TUNER at 531 kHz adjust IFT605 until the test point TP4 voltage at 1.3V+/-0.1V. 2. Set the TUNER at 1710 kHz, check the test point TP4 voltage at 7.0 to 8.0 V. 3. Set the TUNER and S/G at 600 kHz, adjust IFT606 for maximum output. 4. Set the TUNER and S/G at 1500 kHz, adjust the VC606 for maximum output. 5. Repeat the avobe step 3 and 4.		IFT605 IFT606 VC606
FM tracking	Signal input : Analog antenna FM ANT Fm GND signal output : H.phone out (with 32 ohm load)	1. Set the TUNER at 87.5MHz adjust L604 until the point TP5 voltage at 1.5V+/-0.1V. 2. Set the TUNER at 108MHz, check the point TP5 voltage at 7.2-8.0V. 3. Set the TUNER and S/G at 90.1MHz, adjust L605 for amximum output. 4. Set the TUNER and S/G at 106.1MHz, adjust the VC604 for maximum output.		L604 L605 VC604

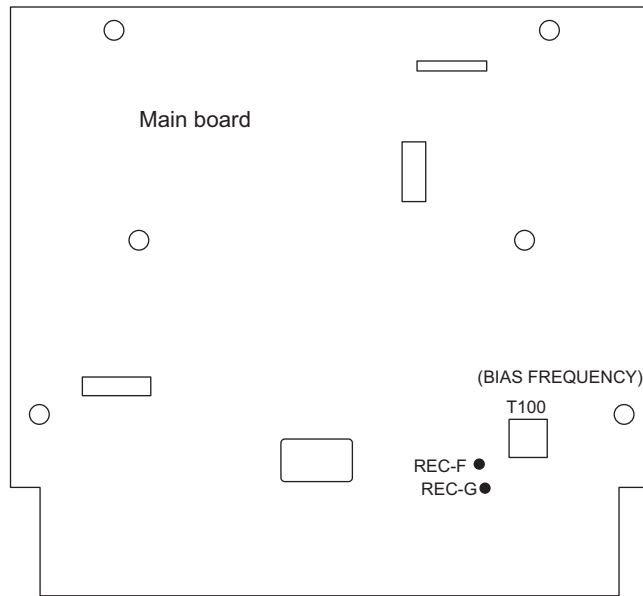
4.5 Location of adjusting parts

Cassette mechanism section

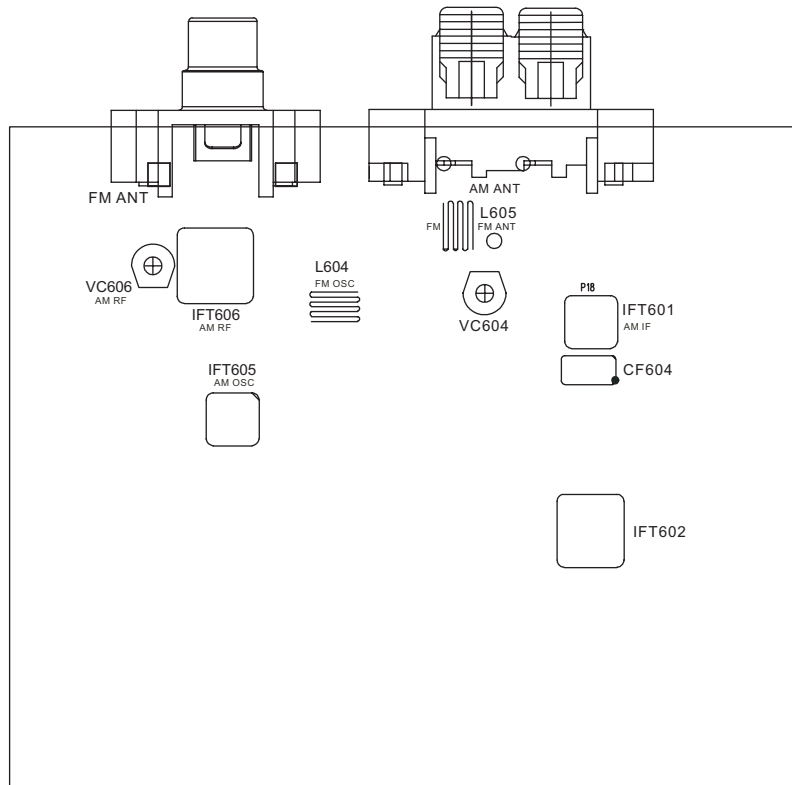
(caution) For adjusting any head, be sure to use a screw driver degaussed.



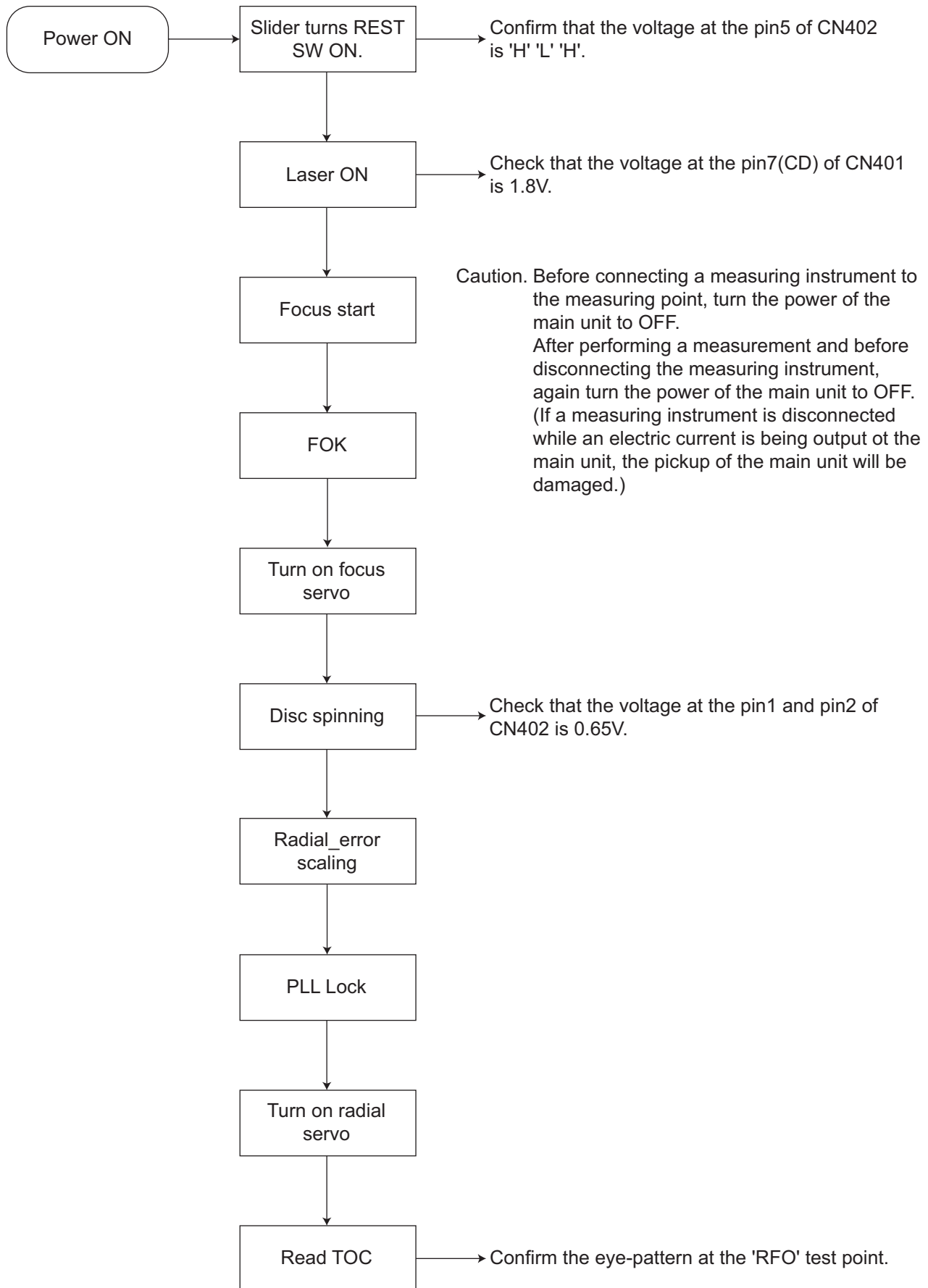
Main board



Tuner section



4.6 Flow of functional operation until TOC read



SECTION 5 TROUBLESHOOTING

This service manual does not describe TROUBLESHOOTING.



JVC

Victor Company of Japan, Limited
AV & MULTIMEDIA COMPANY AUDIO/VIDEO SYSTEMS CATEGORY 10-1,1chome,Ohwatari-machi,Maebashi-city,371-8543,Japan

(No.MB284)

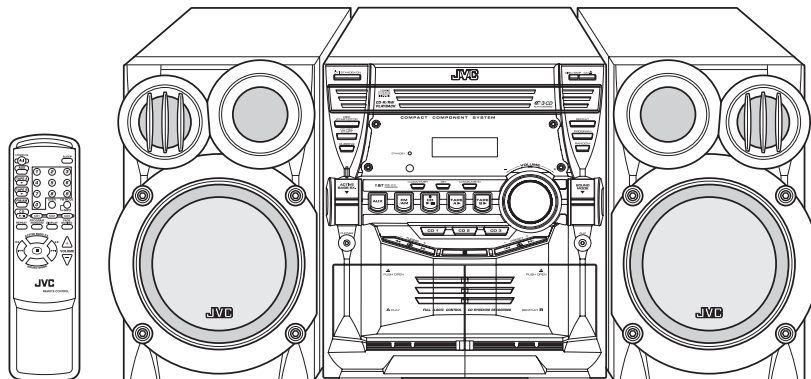
JVC

SCHEMATIC DIAGRAMS

COMPACT COMPONENT SYSTEM

MX-KB2, MX-KB15

CD-ROM No.SML200408



COMPACT
disc
DIGITAL AUDIO

Area suffix

C ----- Canada

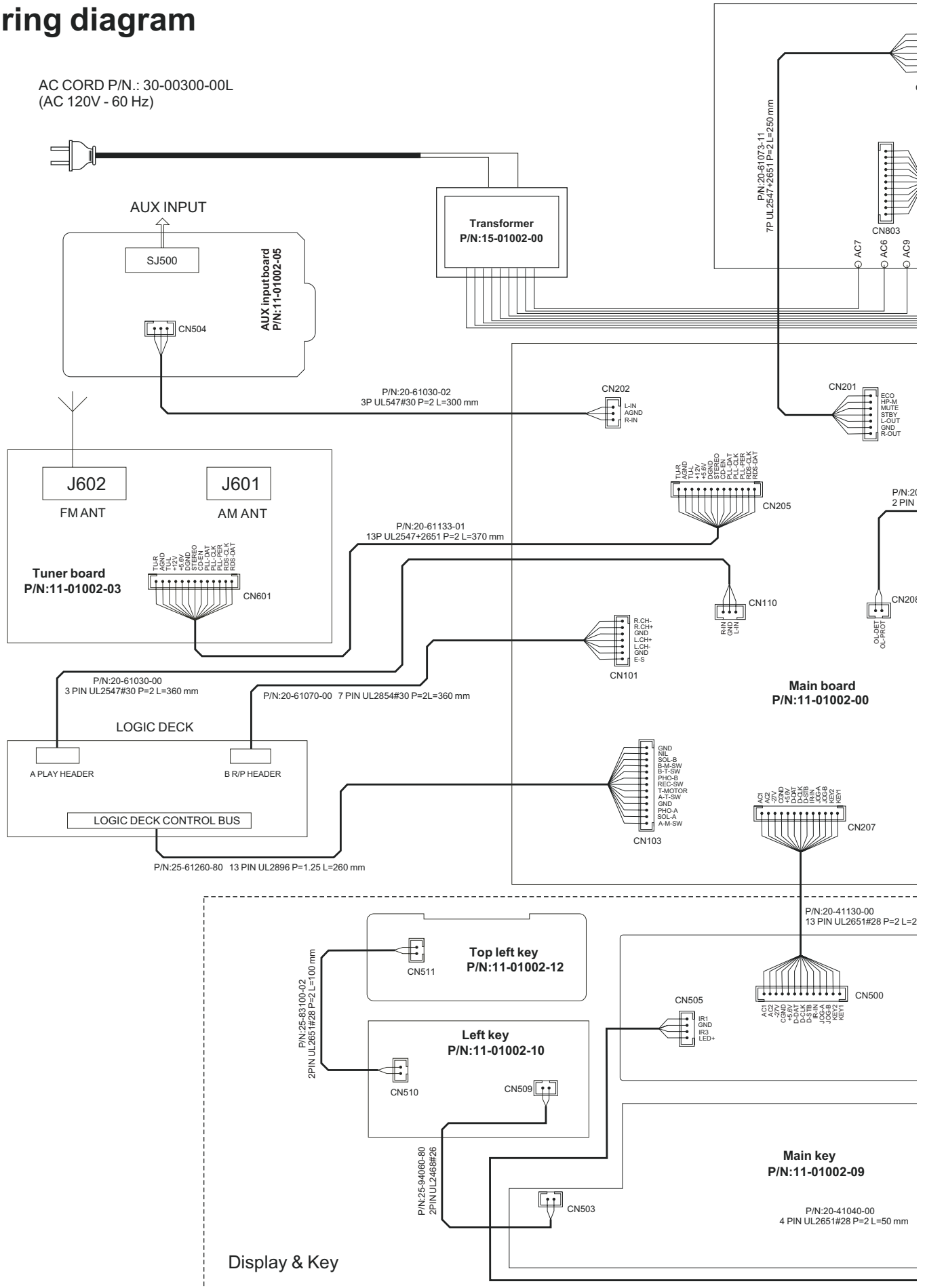
Contents

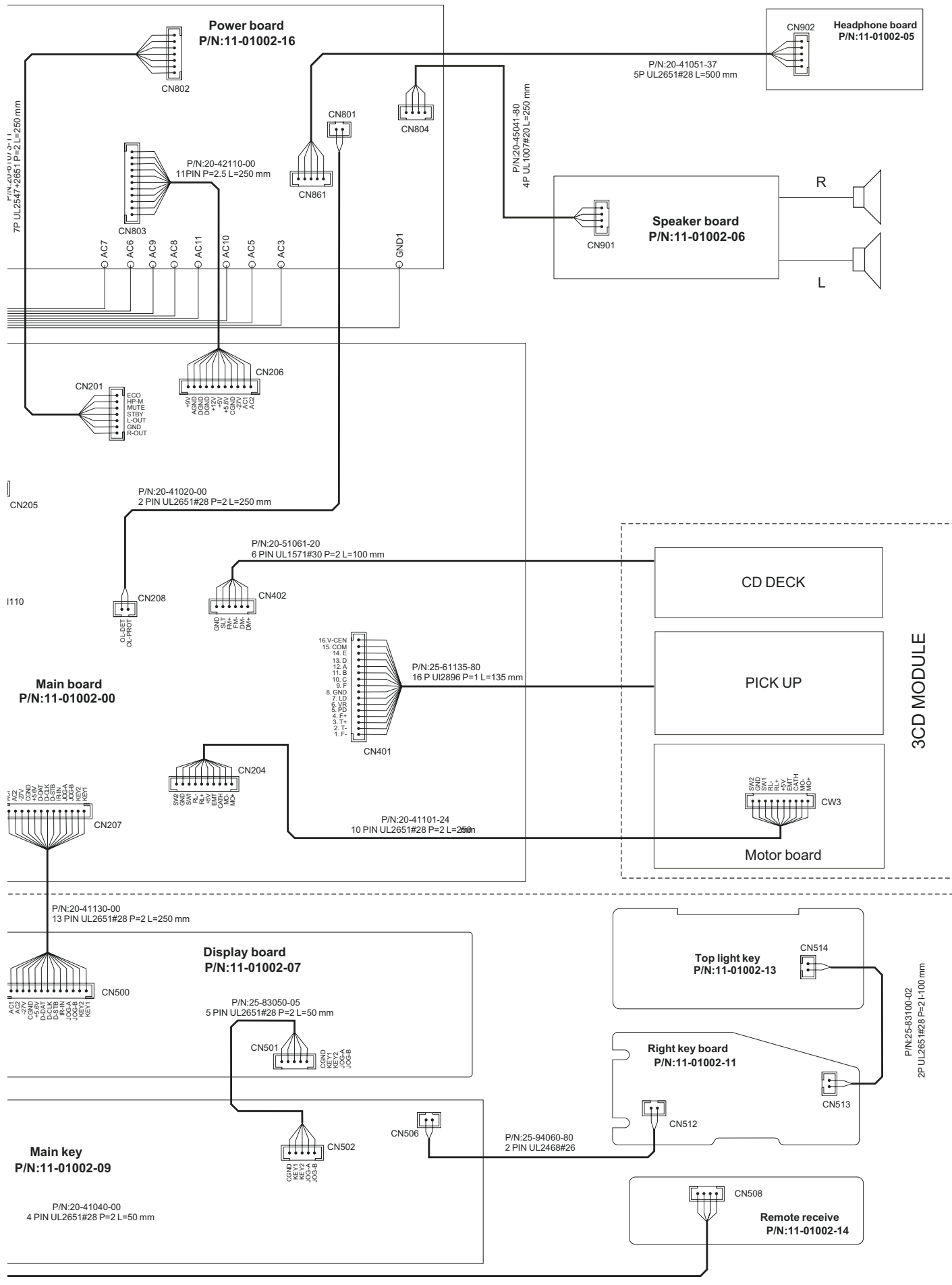
Wiring diagram	2-2
Block diagram	2-4
Standard schematic diagrams	2-6
Printed circuit boards	2-18 to 22

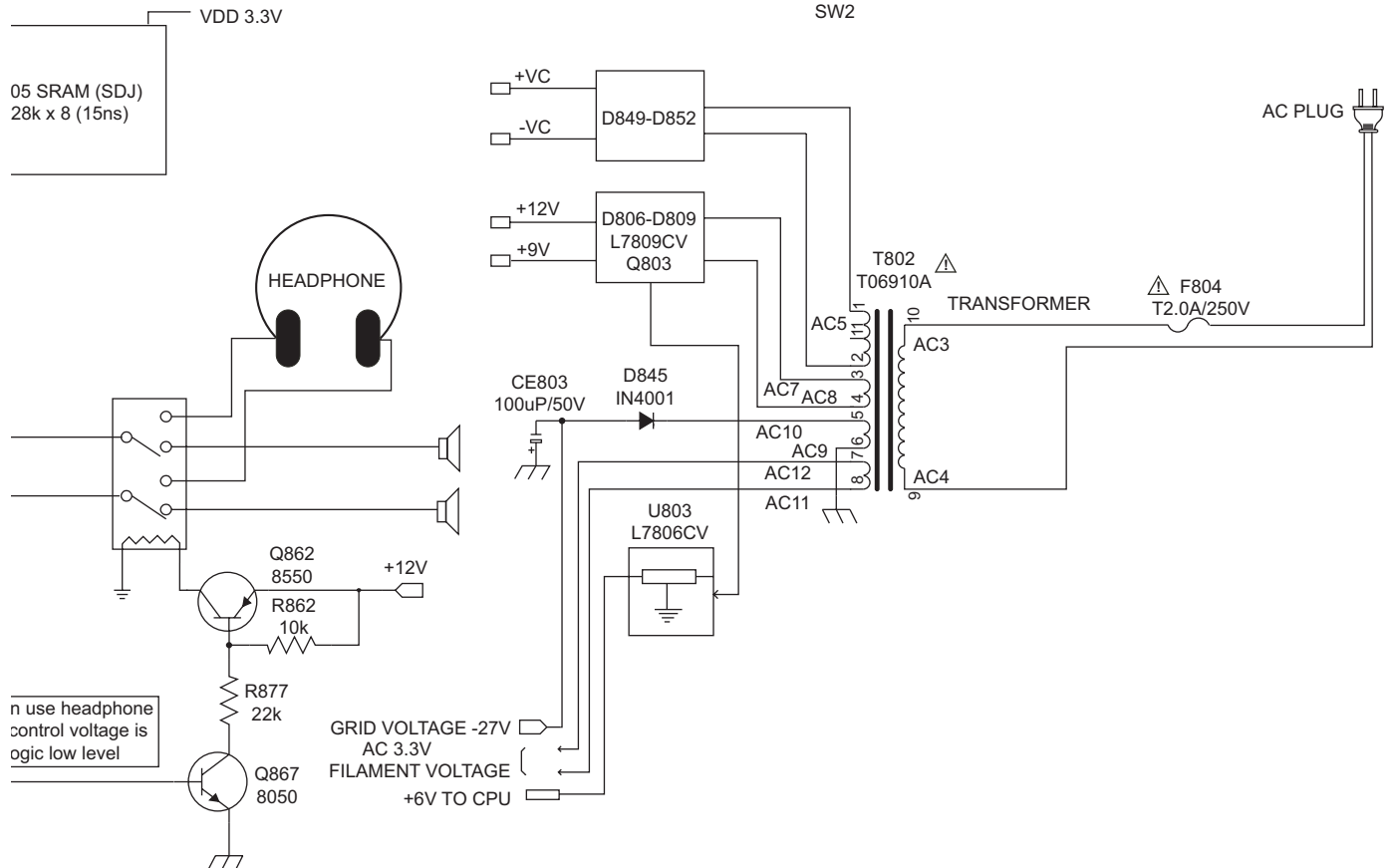
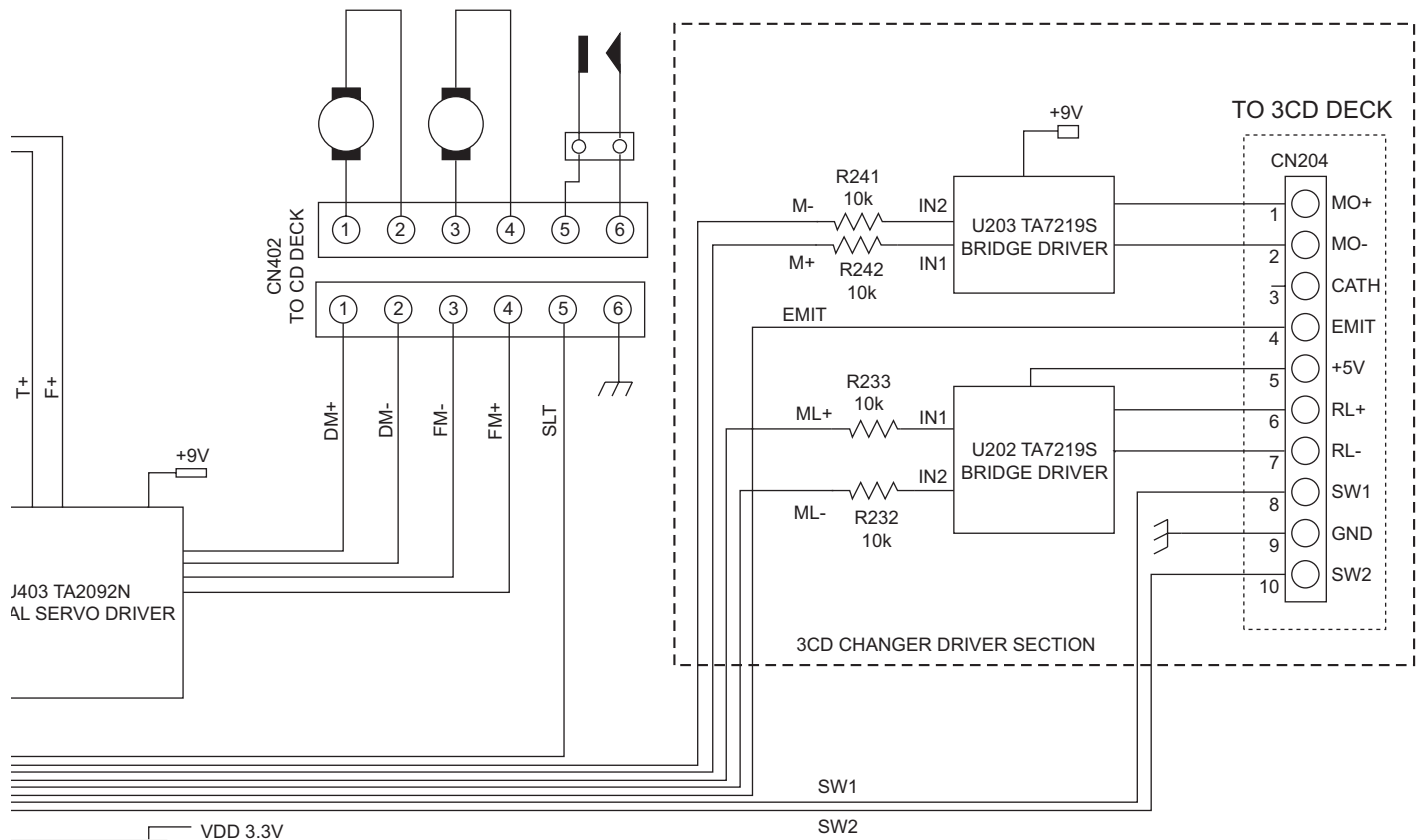
In regard with component parts appearing on the silk-screen printed side (parts side) of the PWB diagrams, the parts that are printed over with black such as the resistor (■), diode (⬤) and ICP (●) or identified by the "⚠" mark nearby are critical for safety.

< MEMO >

Wiring diagram

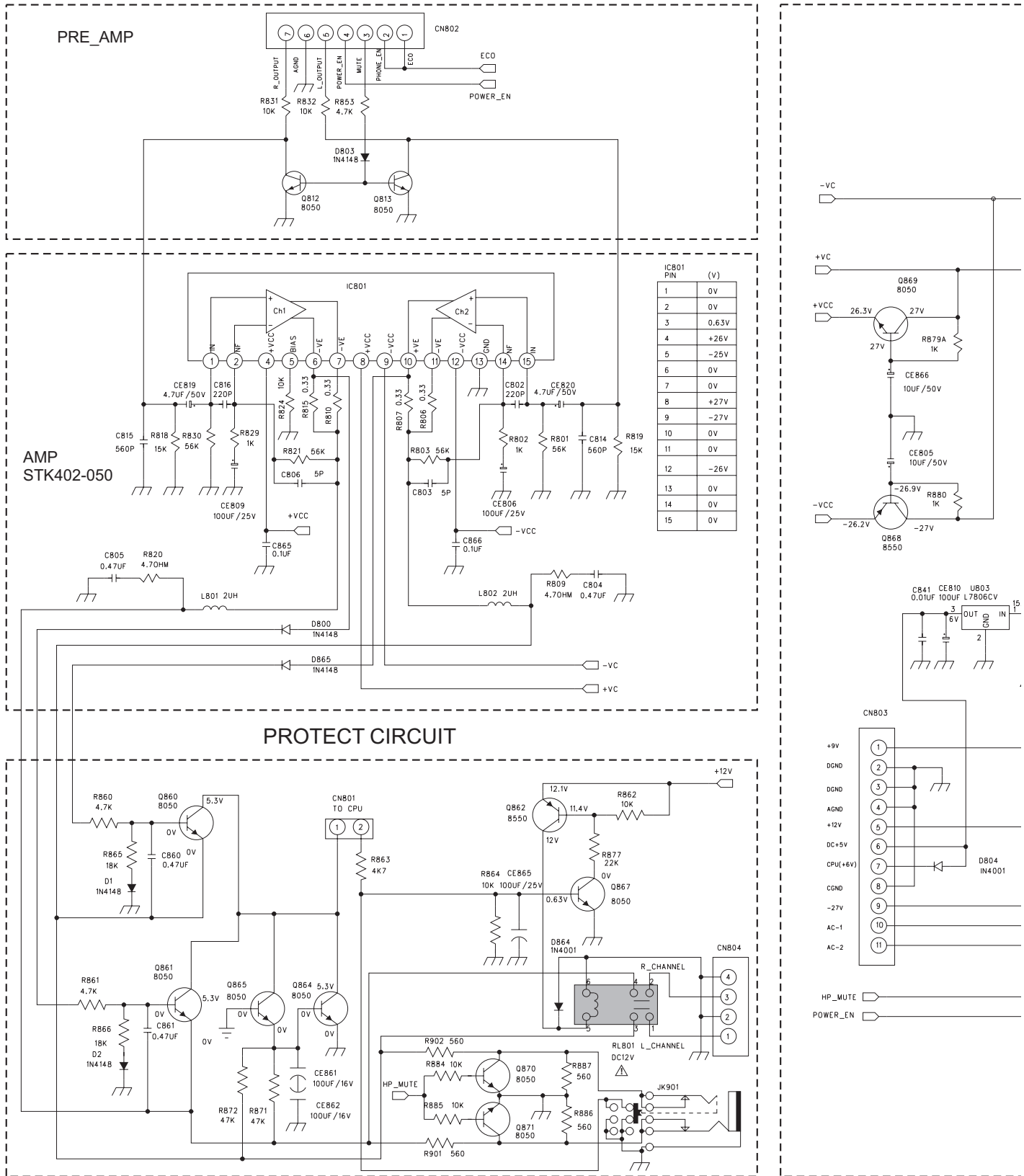


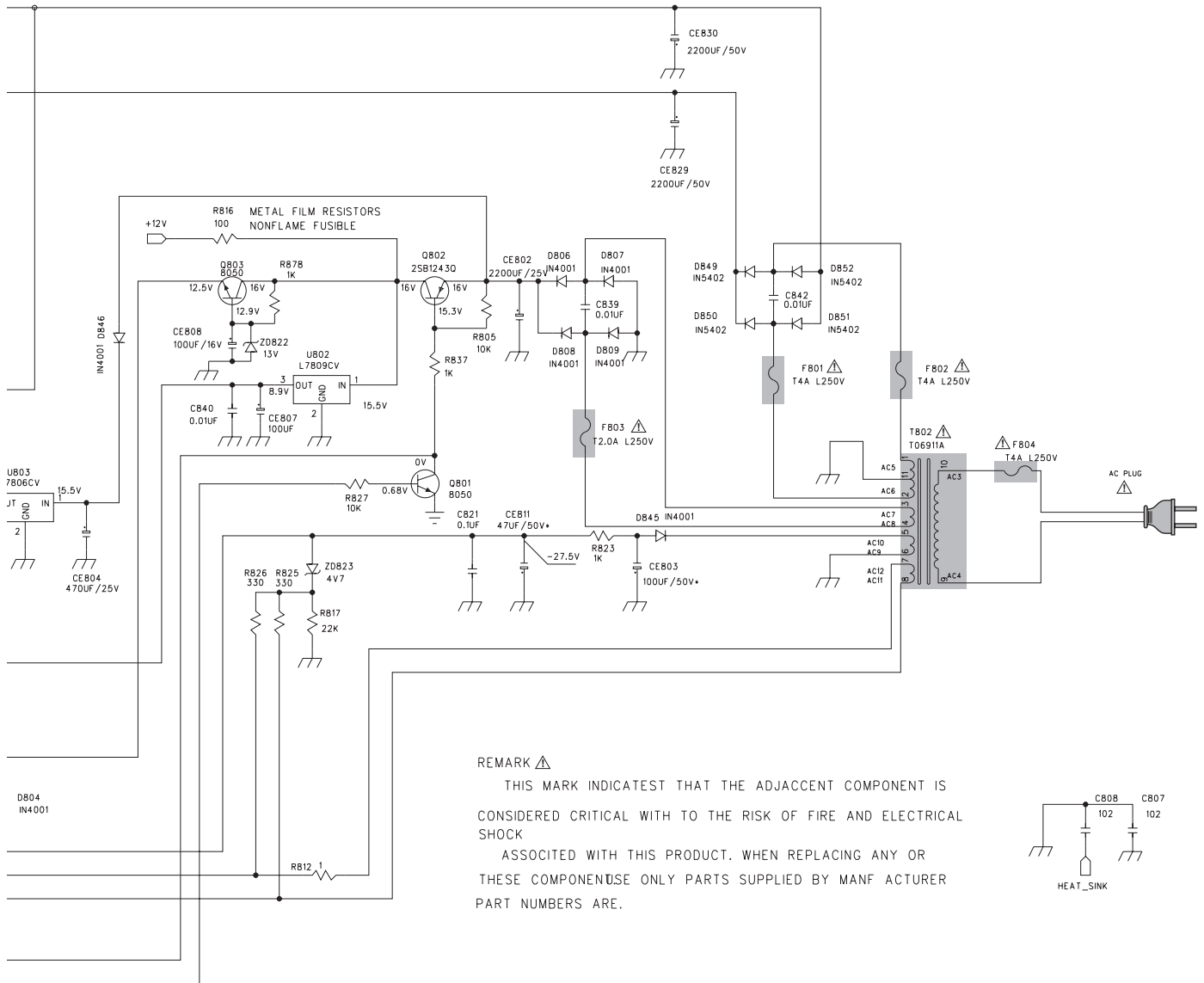





Standardschematicdiagrams

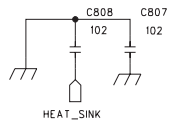
■ Primary / Power amp section



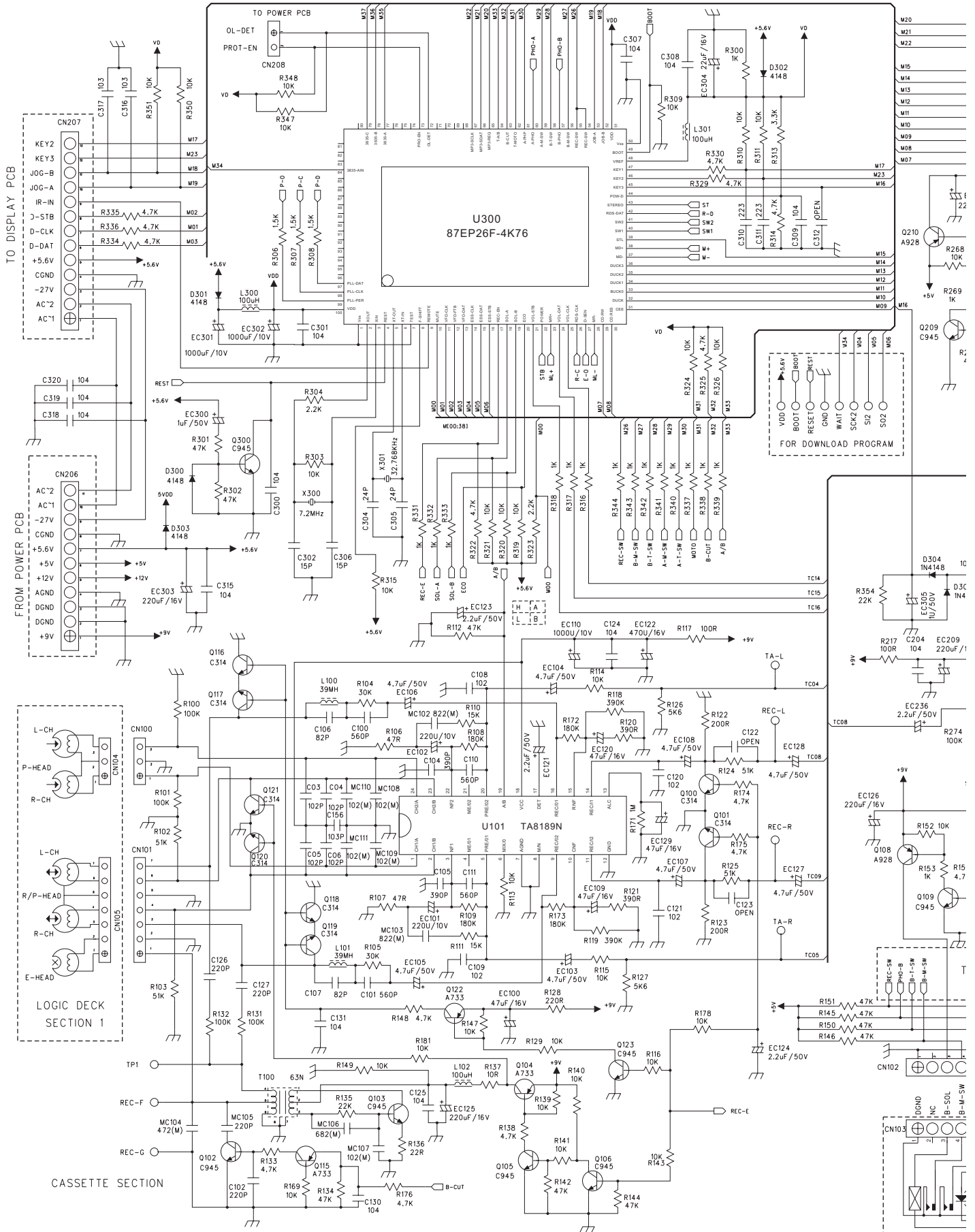


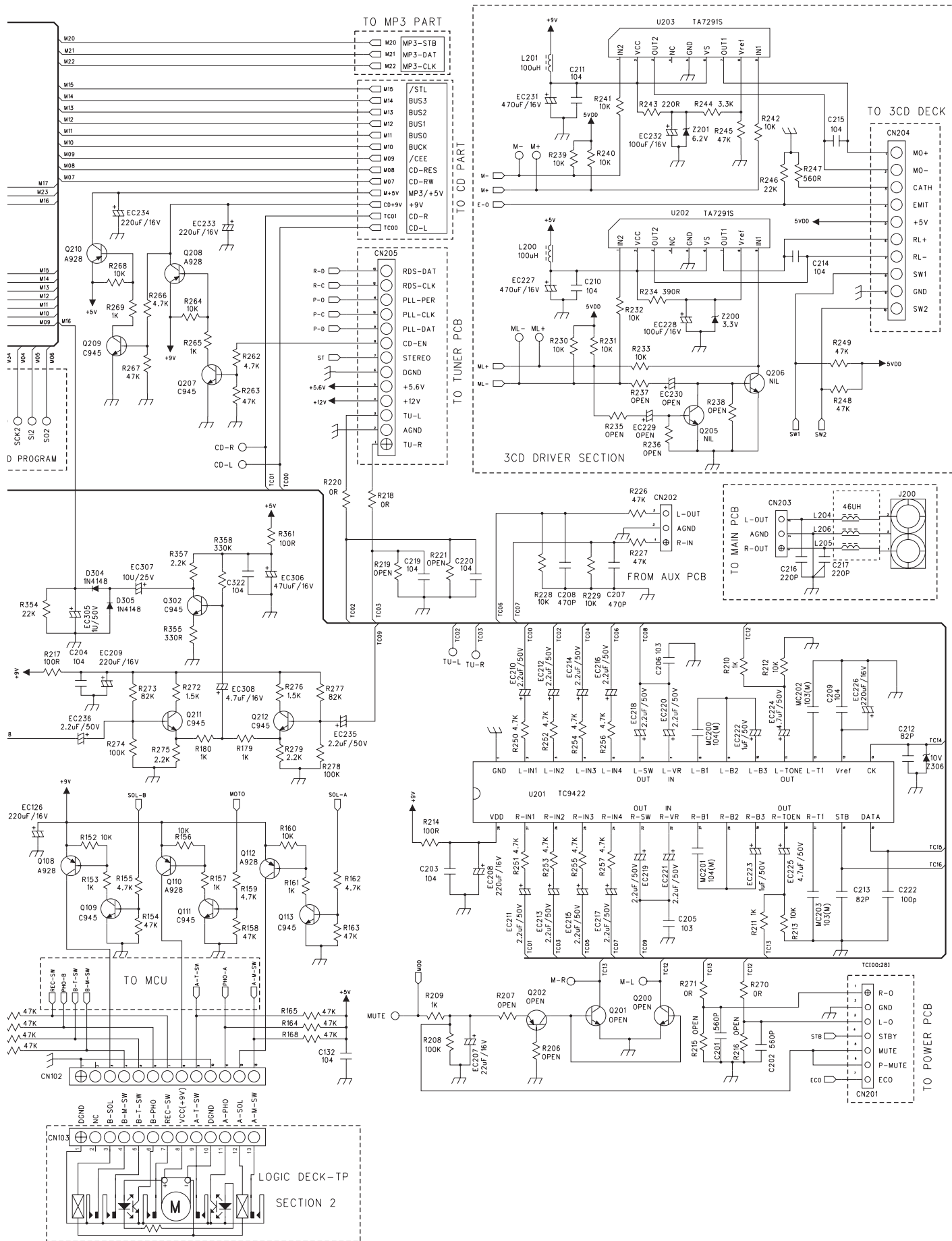
REMARK 

THIS MARK INDICATES THAT THE ADJACENT COMPONENT IS CONSIDERED CRITICAL WITH TO THE RISK OF FIRE AND ELECTRICAL SHOCK ASSOCIATED WITH THIS PRODUCT. WHEN REPLACING ANY OR THESE COMPONENTS USE ONLY PARTS SUPPLIED BY MANUFACTURER PART NUMBERS ARE.

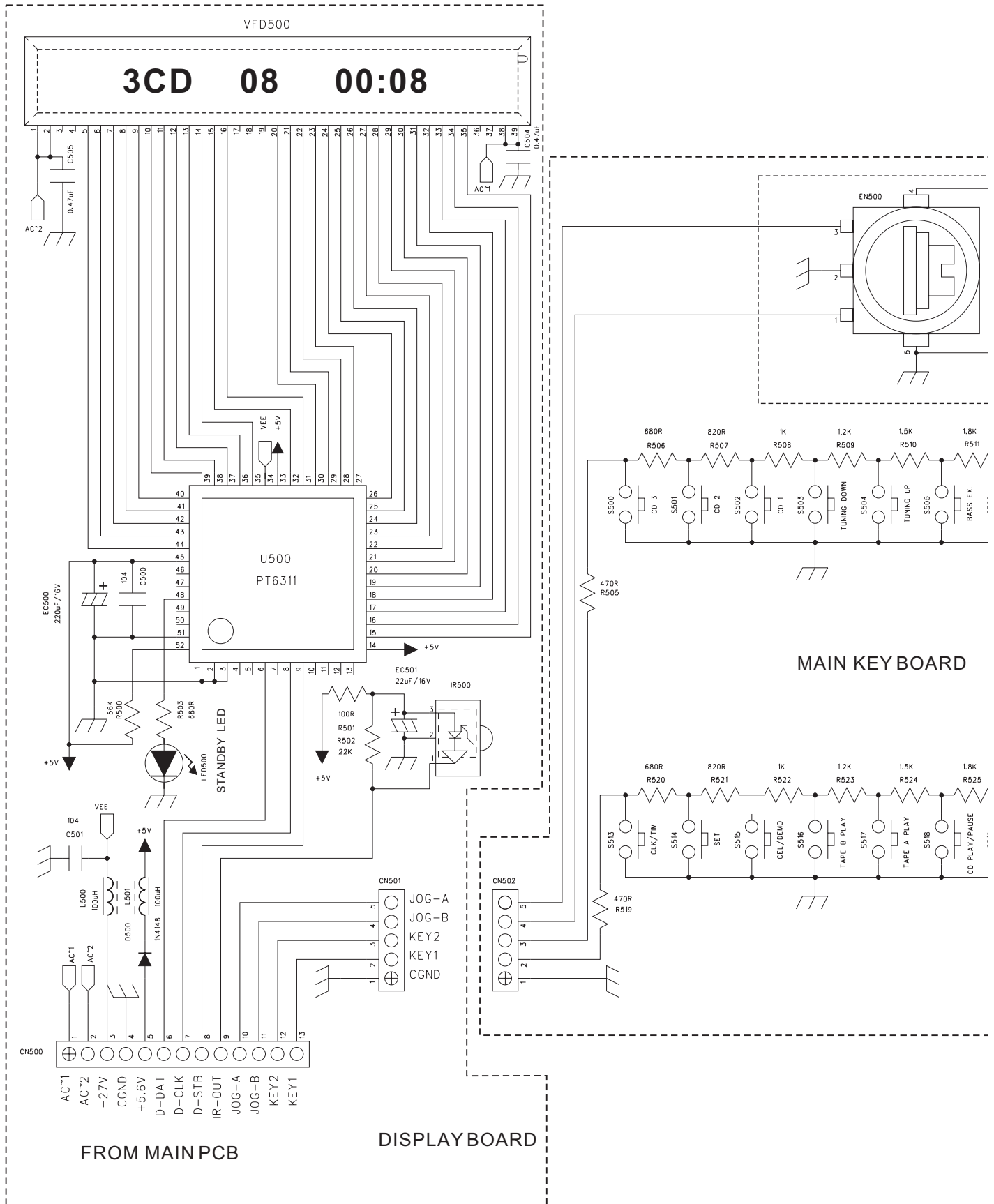


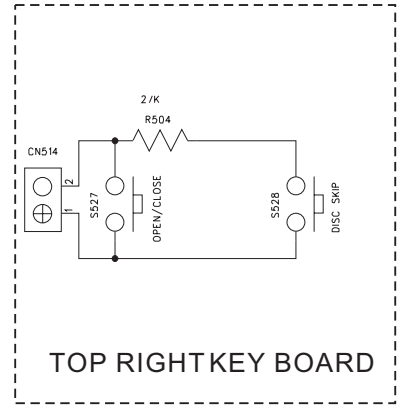
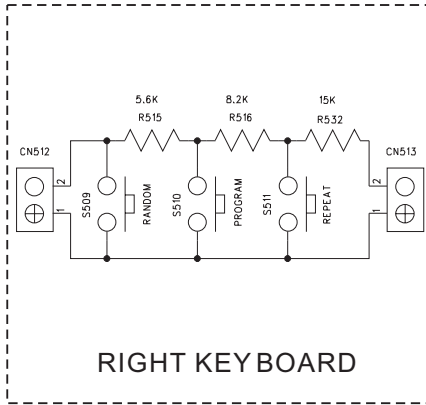
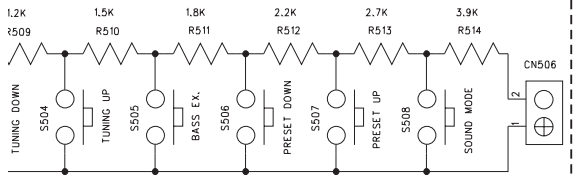
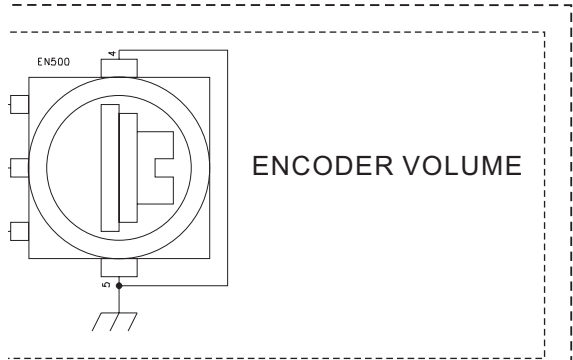
Main section



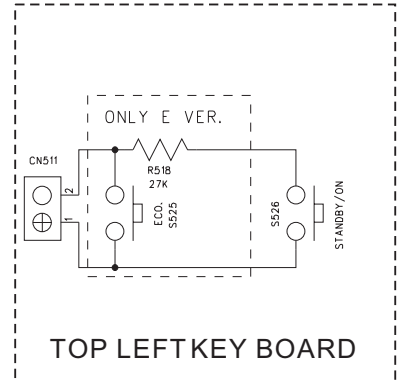
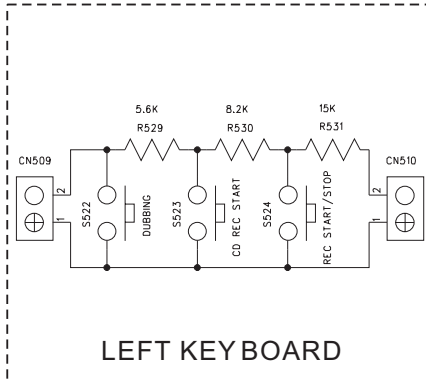
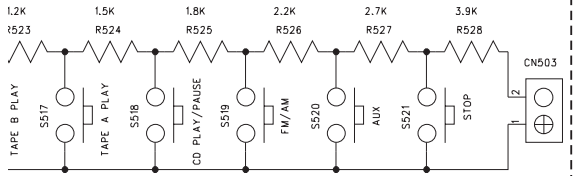


■ Display / Key control section

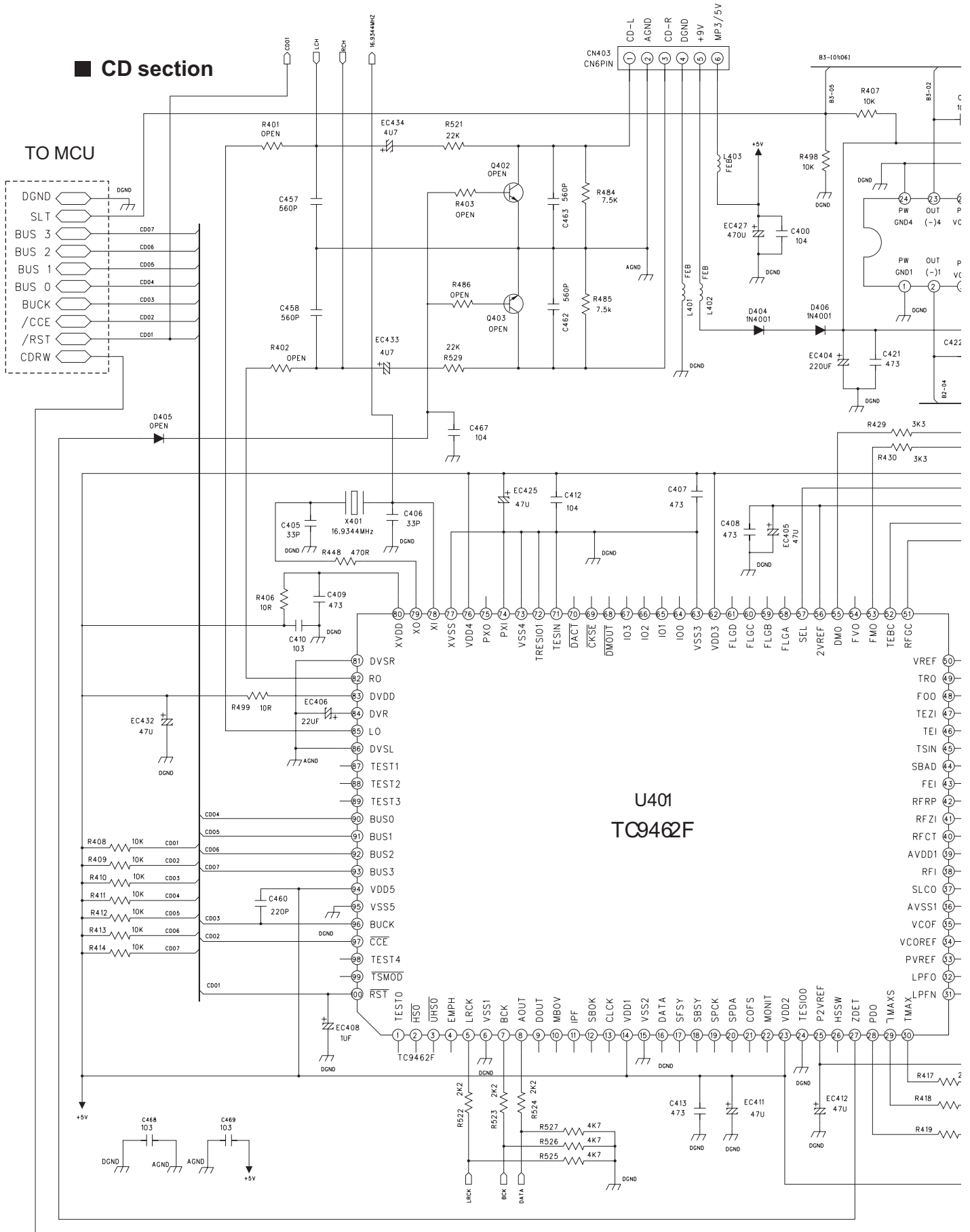


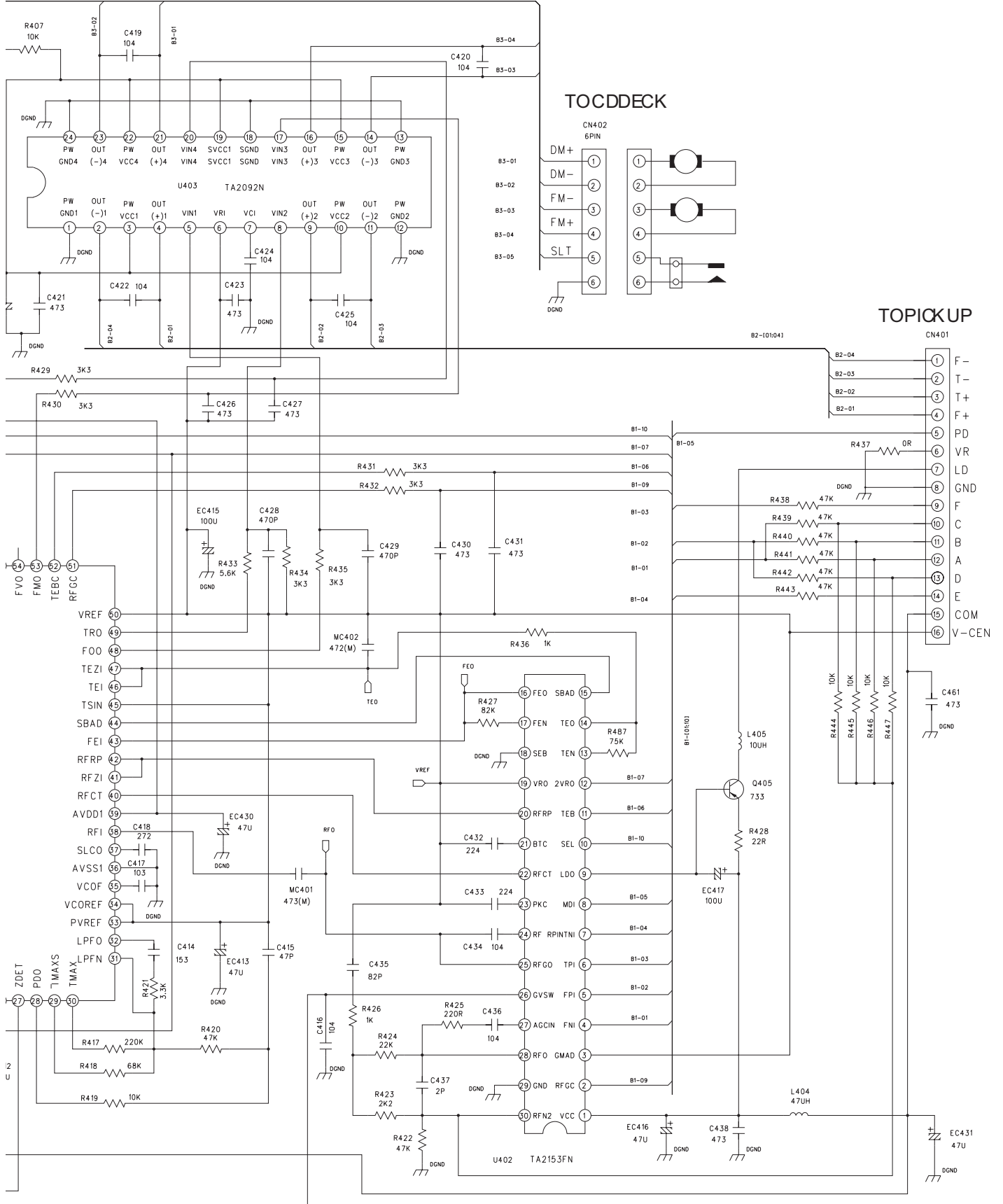


KEY BOARD

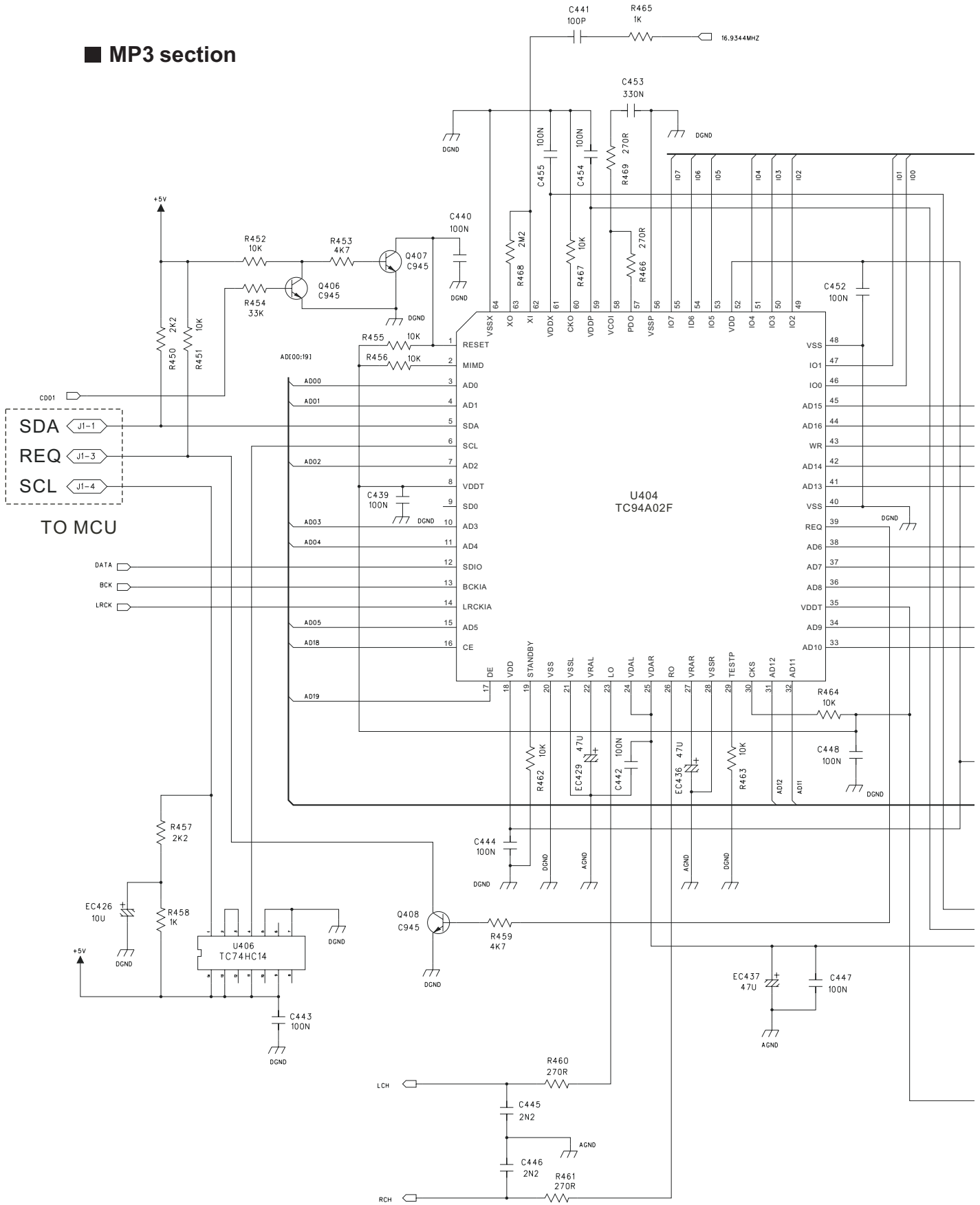


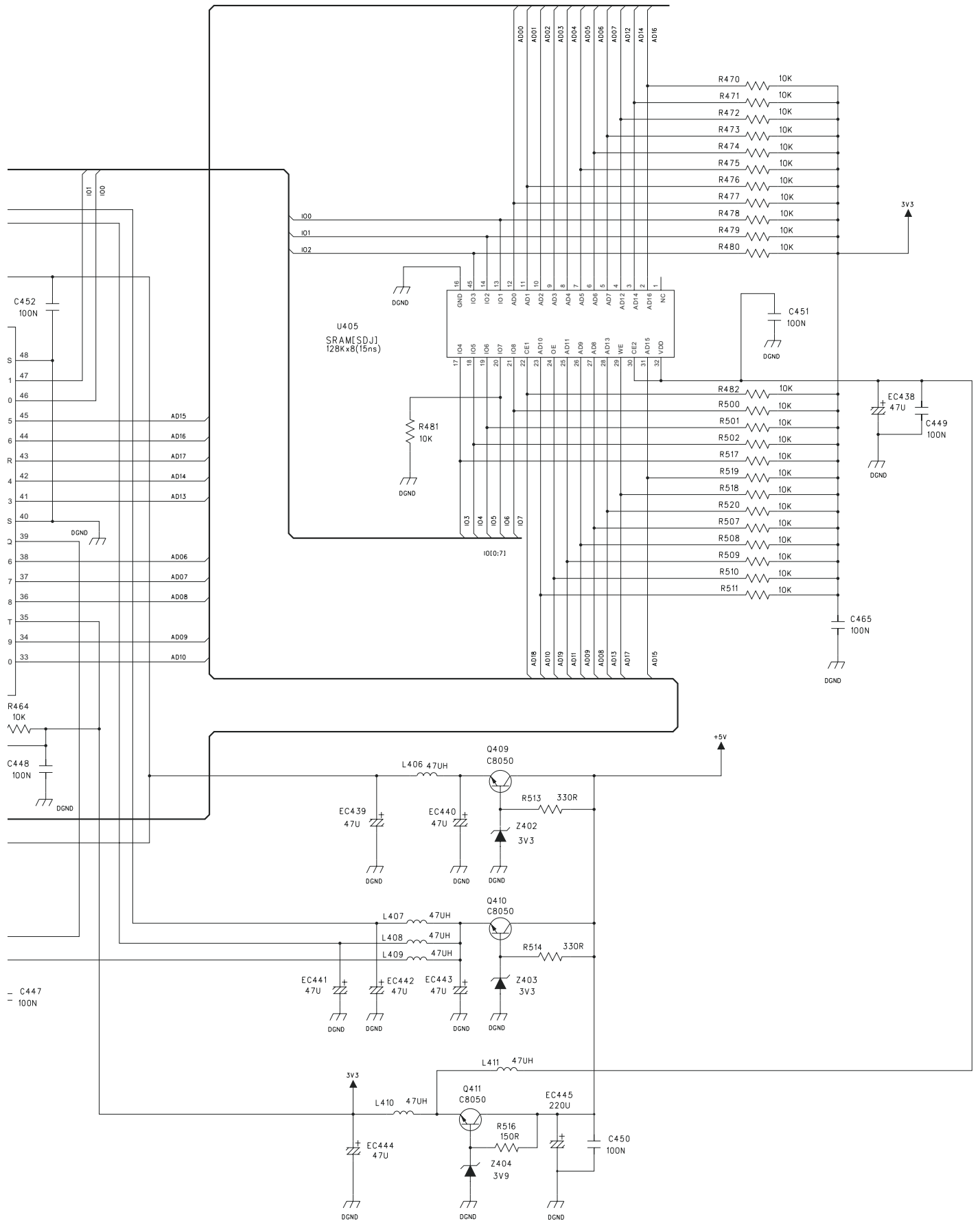
CD section



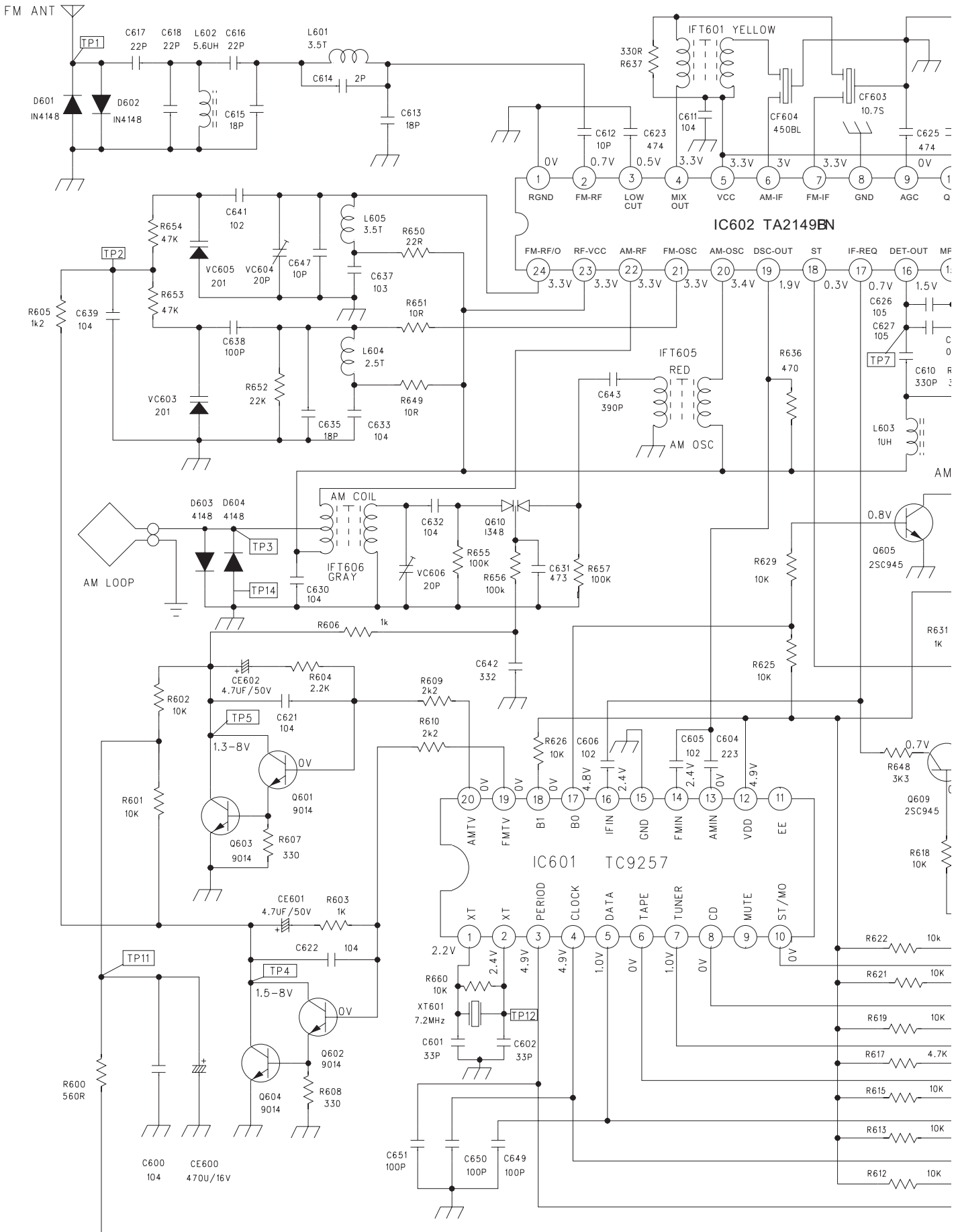


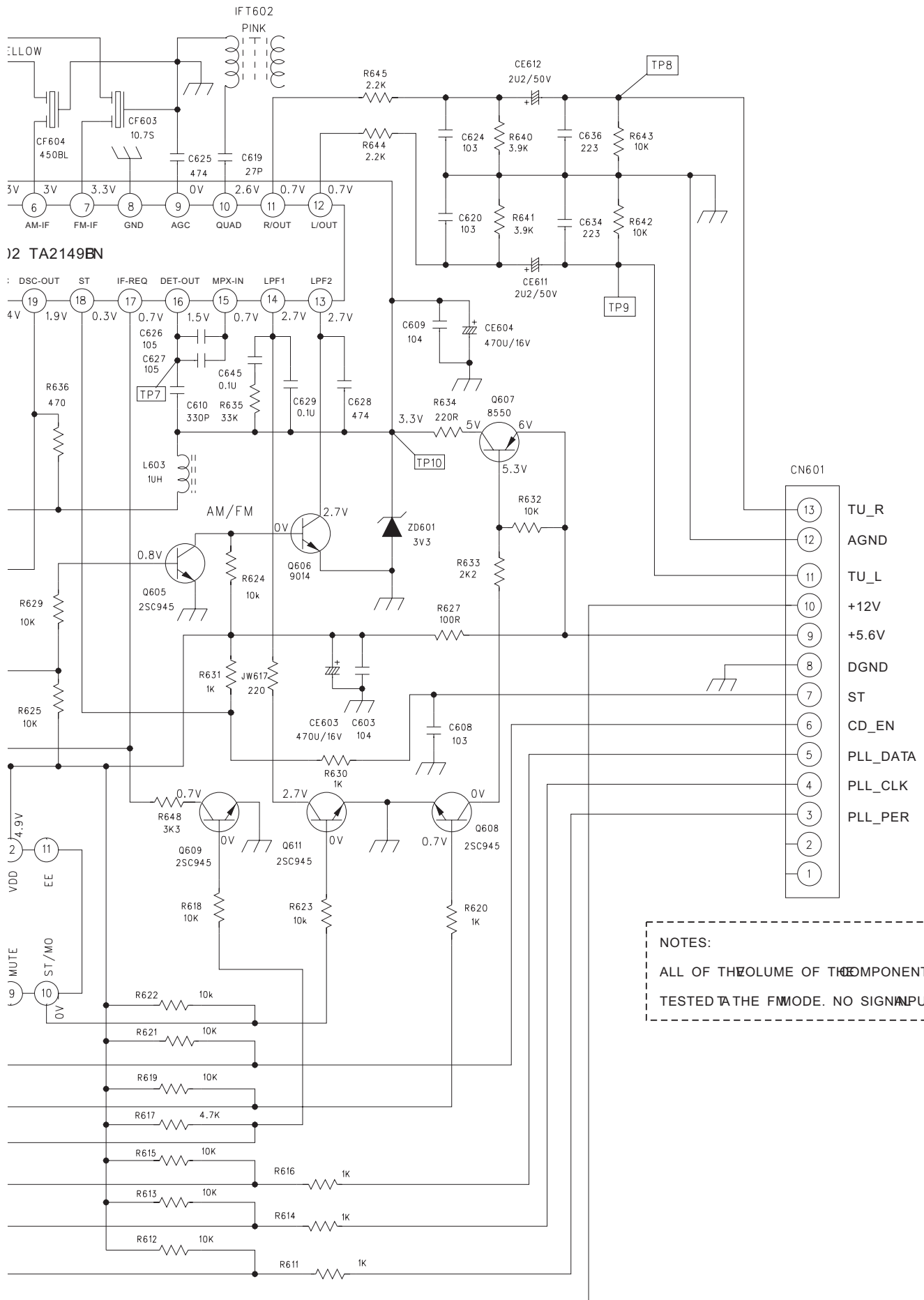
MP3 section





Tuner section

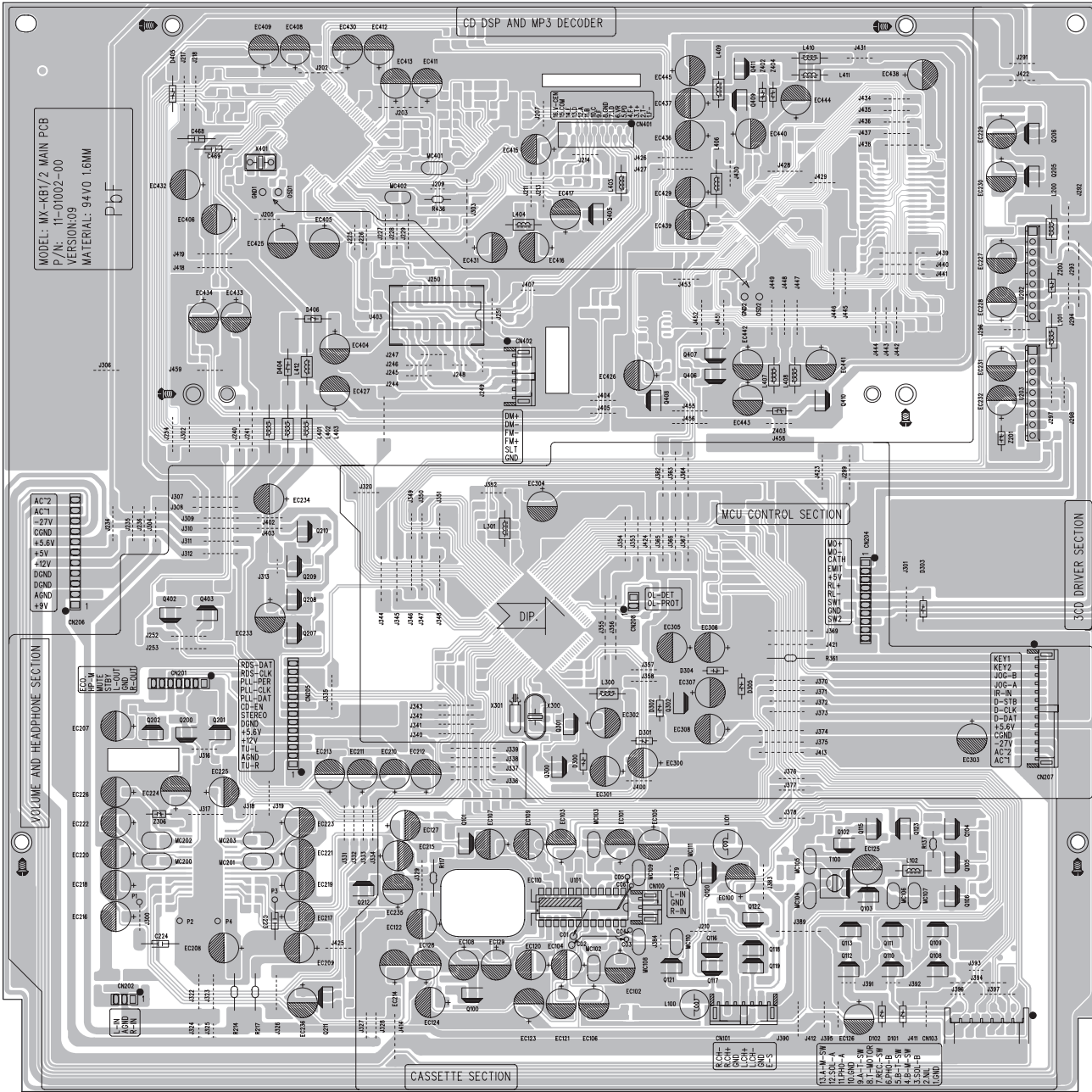




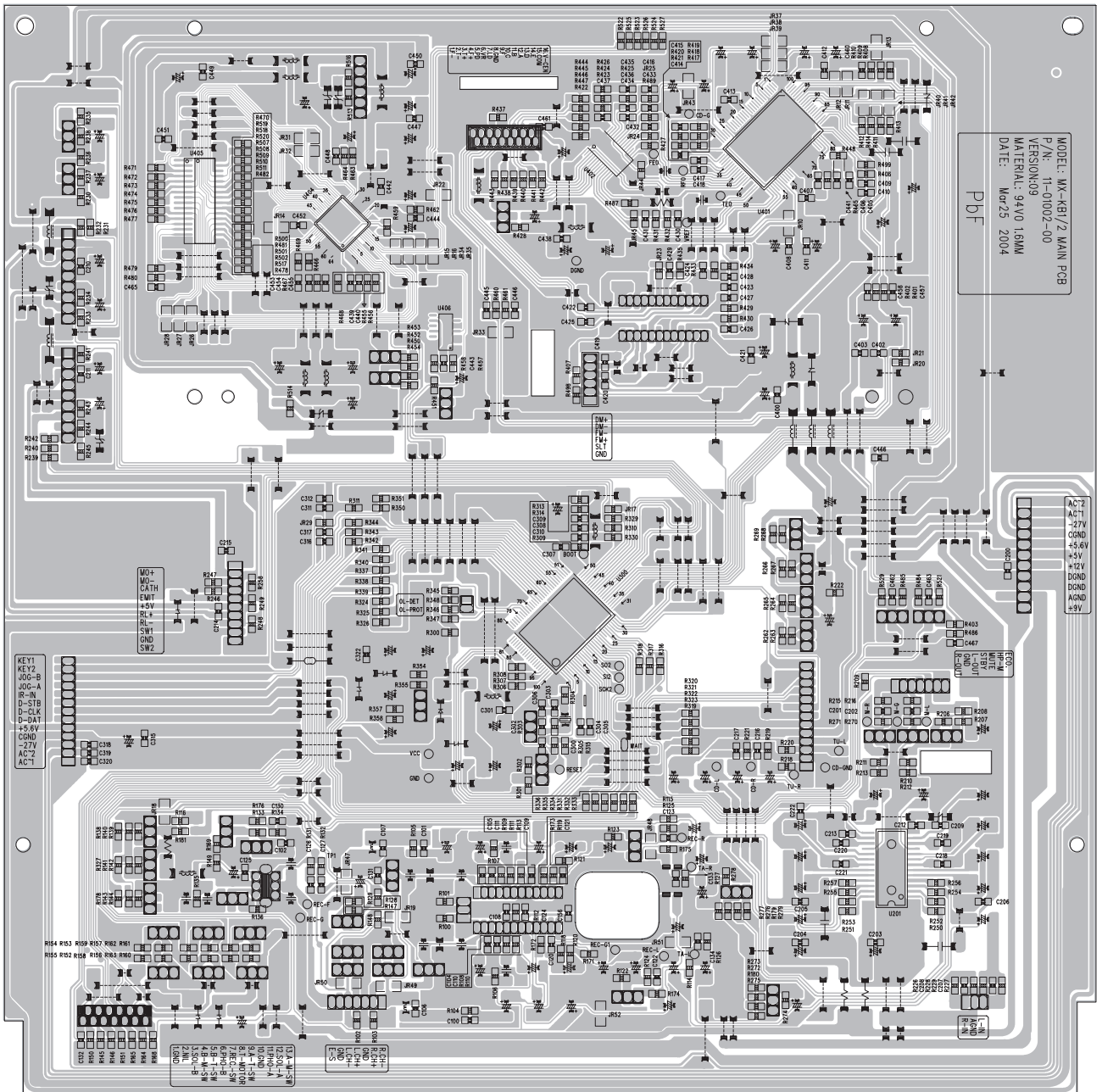
Printed circuit boards

■ Main board

(forward side)



(reverse side)



MODEL: MK-KB1/2 MAIN PCB
P/N: 11-01002-00
VERSION: 09
MATERIAL: 94V0 1.5MM
DATE: Mar'25 2004

AC1
ACT
-27V
GND
+5.6V
+5V
+12V
D1GND
AGND
+9V

KEY1
KEY2
J00-B
J00-A
IR-IN
D-STB
D-CLK
D-DAT
+5.6V
-27V
GND
AC1

R1-A-A
10.0K
10.0K
10.0K
9.1K-1-W
7.5K-1-W
6.8K-1-W
4.7K-1-W
3.3K-1-W
2.2K-1-W
R1-B-A
10.0K
10.0K
10.0K
9.1K-1-W
7.5K-1-W
6.8K-1-W
4.7K-1-W
3.3K-1-W
2.2K-1-W
R1-C-A
10.0K
10.0K
10.0K
9.1K-1-W
7.5K-1-W
6.8K-1-W
4.7K-1-W
3.3K-1-W
2.2K-1-W
R1-D-A
10.0K
10.0K
10.0K
9.1K-1-W
7.5K-1-W
6.8K-1-W
4.7K-1-W
3.3K-1-W
2.2K-1-W

R403
R404
R405
R406
R407

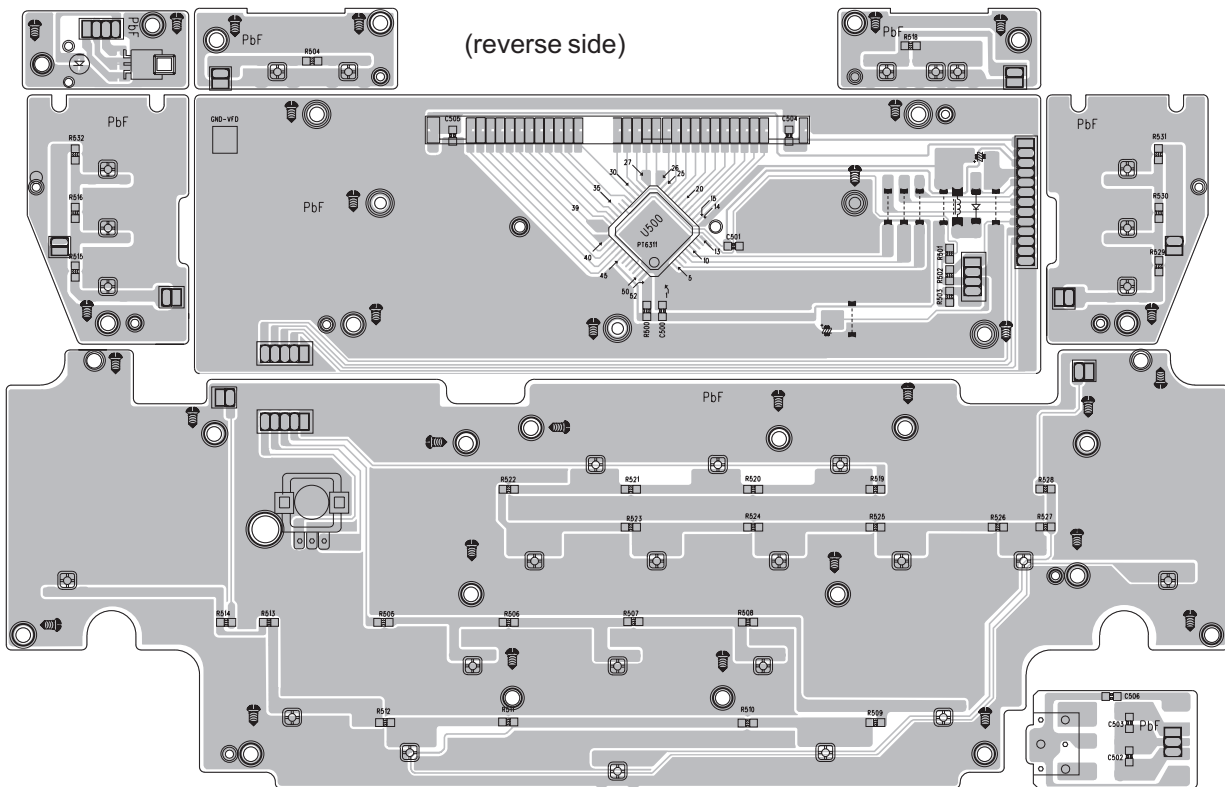
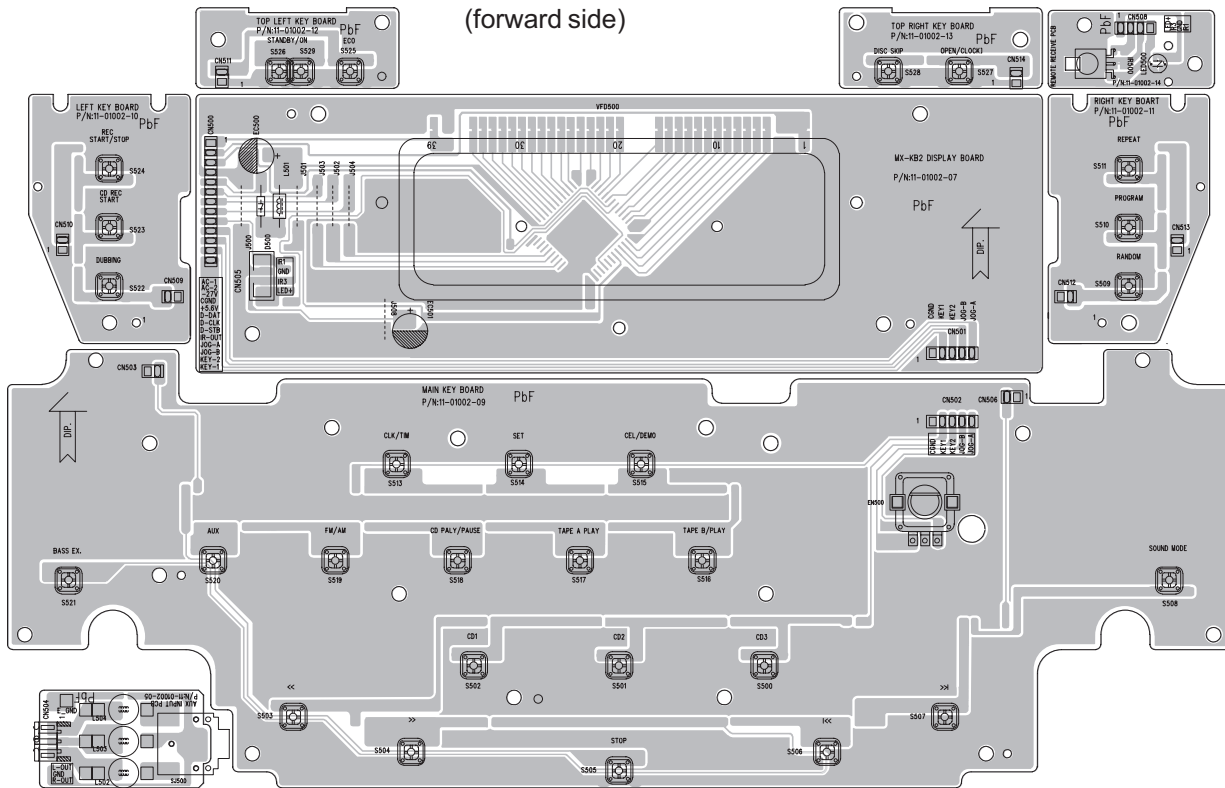
R203
R204
R205
R206
R207
R208
R209
R210
R211
R212
R213
R214
R215
R216
R217
R218
R219
R220
R221
R222
R223
R224
R225
R226
R227
R228
R229
R230
R231
R232
R233
R234
R235
R236
R237
R238
R239
R240
R241
R242
R243
R244
R245
R246
R247
R248
R249
R250
R251
R252
R253
R254
R255
R256
R257
R258
R259
R260
R261
R262
R263
R264
R265
R266
R267
R268
R269
R270
R271
R272
R273
R274
R275
R276
R277
R278
R279
R280
R281
R282
R283
R284
R285
R286
R287
R288
R289
R290
R291
R292
R293
R294
R295
R296
R297
R298
R299
R300

R301
R302
R303
R304
R305
R306
R307
R308
R309
R310
R311
R312
R313
R314
R315
R316
R317
R318
R319
R320
R321
R322
R323
R324
R325
R326
R327
R328
R329
R330
R331
R332
R333
R334
R335
R336
R337
R338
R339
R340
R341
R342
R343
R344
R345
R346
R347
R348
R349
R350
R351
R352
R353
R354
R355
R356
R357
R358
R359
R360
R361
R362
R363
R364
R365
R366
R367
R368
R369
R370
R371
R372
R373
R374
R375
R376
R377
R378
R379
R380
R381
R382
R383
R384
R385
R386
R387
R388
R389
R390
R391
R392
R393
R394
R395
R396
R397
R398
R399
R400

R401
R402
R403
R404
R405
R406
R407
R408
R409
R410
R411
R412
R413
R414
R415
R416
R417
R418
R419
R420
R421
R422
R423
R424
R425
R426
R427
R428
R429
R430
R431
R432
R433
R434
R435
R436
R437
R438
R439
R440
R441
R442
R443
R444
R445
R446
R447
R448
R449
R450
R451
R452
R453
R454
R455
R456
R457
R458
R459
R460
R461
R462
R463
R464
R465
R466
R467
R468
R469
R470
R471
R472
R473
R474
R475
R476
R477
R478
R479
R480
R481
R482
R483
R484
R485
R486
R487
R488
R489
R490
R491
R492
R493
R494
R495
R496
R497
R498
R499
R500

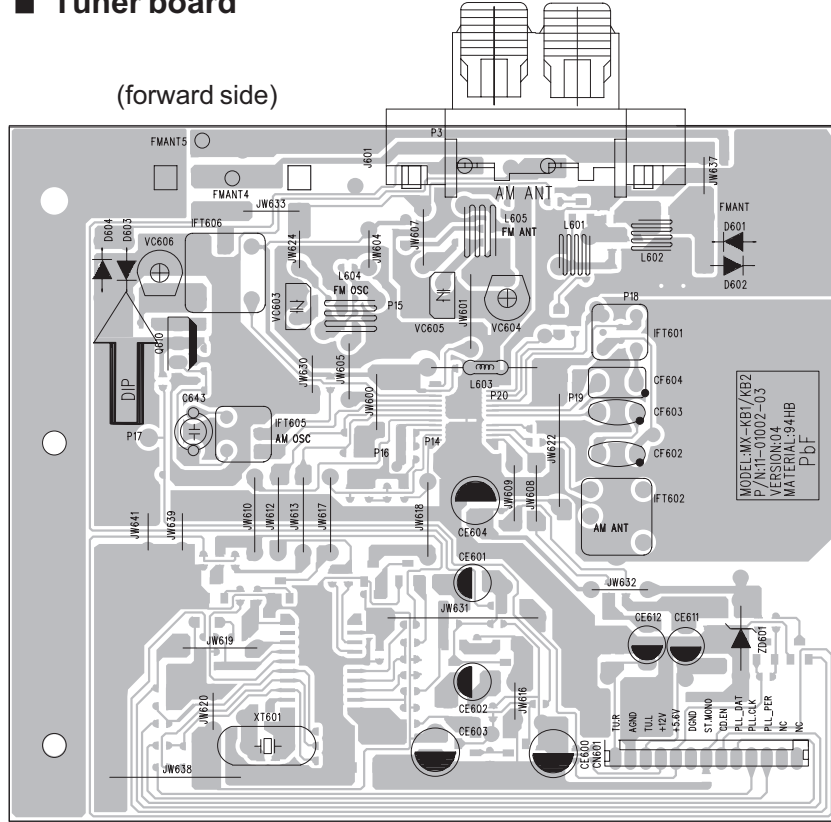
R501
R502
R503
R504
R505
R506
R507
R508
R509
R510
R511
R512
R513
R514
R515
R516
R517
R518
R519
R520
R521
R522
R523
R524
R525
R526
R527
R528
R529
R530
R531
R532
R533
R534
R535
R536
R537
R538
R539
R540
R541
R542
R543
R544
R545
R546
R547
R548
R549
R550
R551
R552
R553
R554
R555
R556
R557
R558
R559
R560
R561
R562
R563
R564
R565
R566
R567
R568
R569
R570
R571
R572
R573
R574
R575
R576
R577
R578
R579
R580
R581
R582
R583
R584
R585
R586
R587
R588
R589
R590
R591
R592
R593
R594
R595
R596
R597
R598
R599
R600

■ Display board

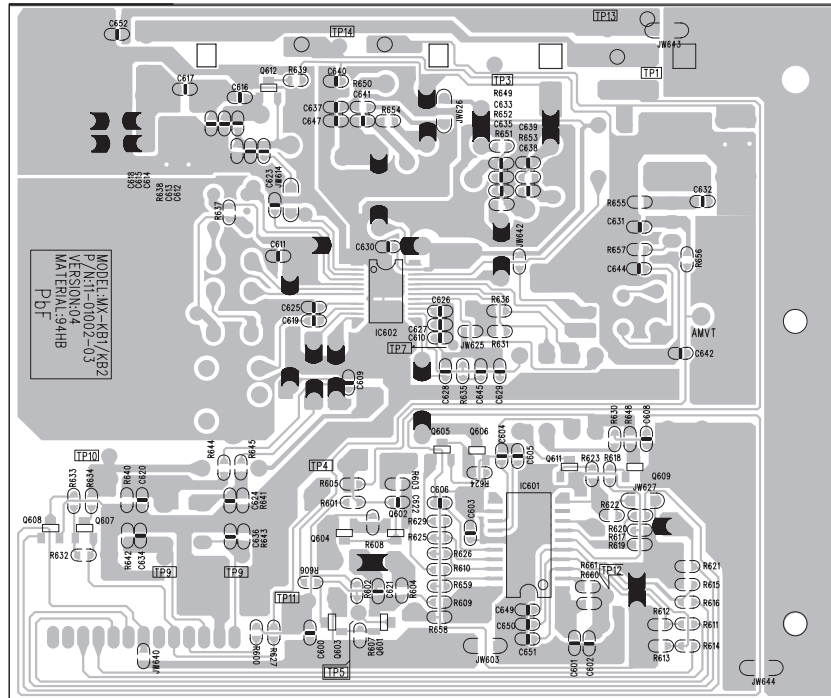


■ Tuner board

(forward side)

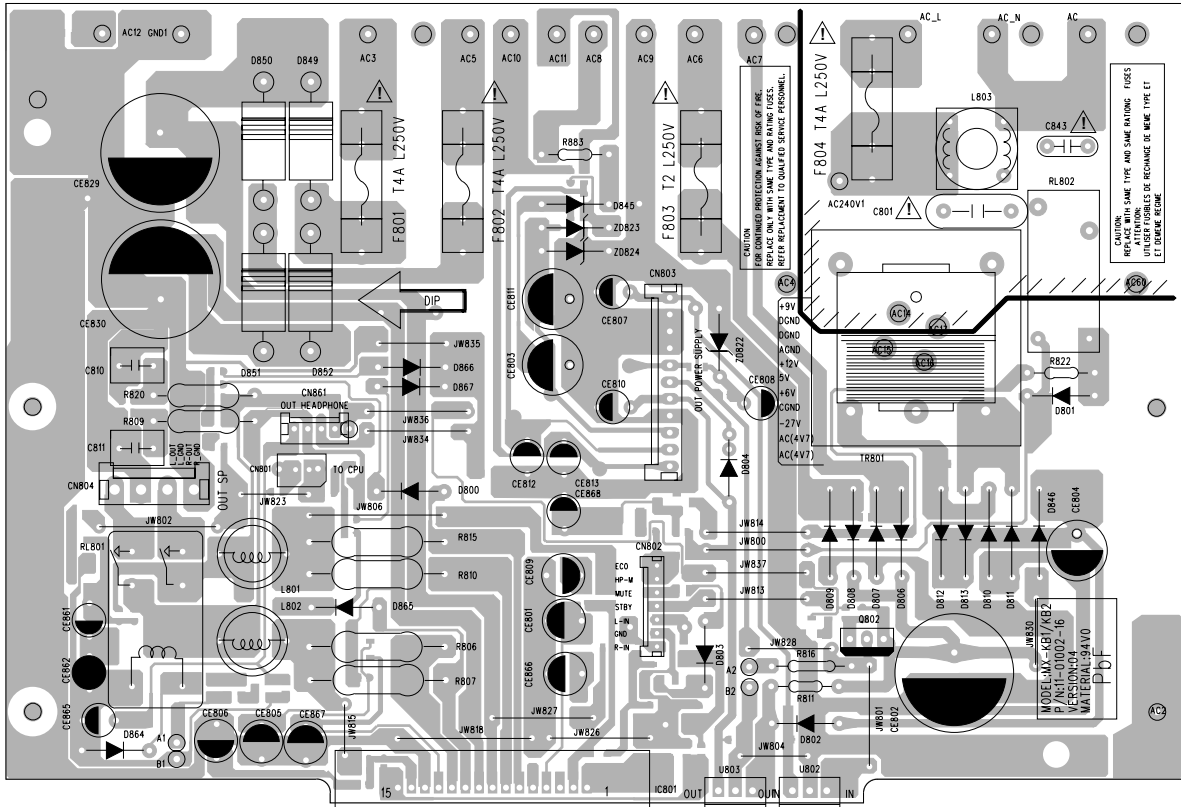


(reverse side)

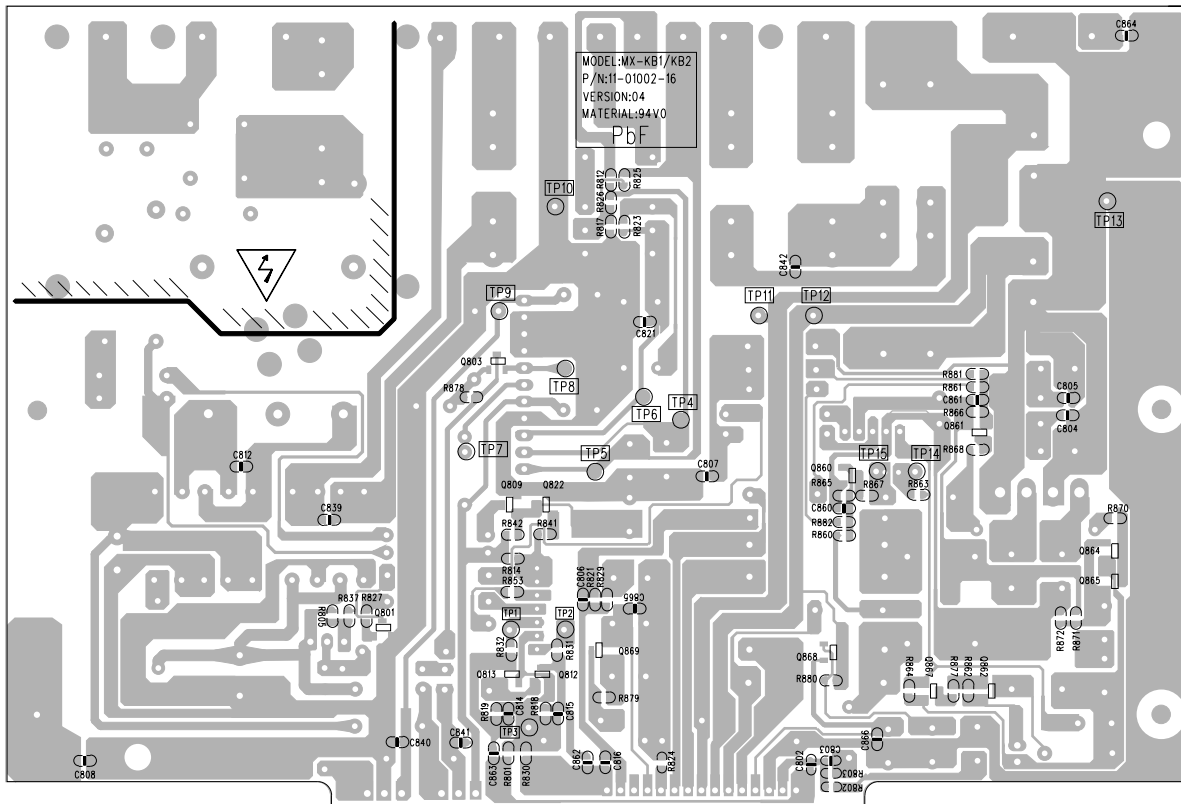


■ Trans board

(forward side)



(reverse side)



< MEMO >

JVC

Victor Company of Japan, Limited

AV & MULTIMEDIA COMPANY AUDIO/VIDEO SYSTEMS CATEGORY 10-1,1chome,Ohwatari-machi,Maebashi-city,371-8543,Japan

(No.MB287SCH)



Printed in Japan
WPC

PARTS LIST

[MX-KB2]

[MX-KB1]

* All printed circuit boards and its assemblies are not available as service parts.

Area suffix

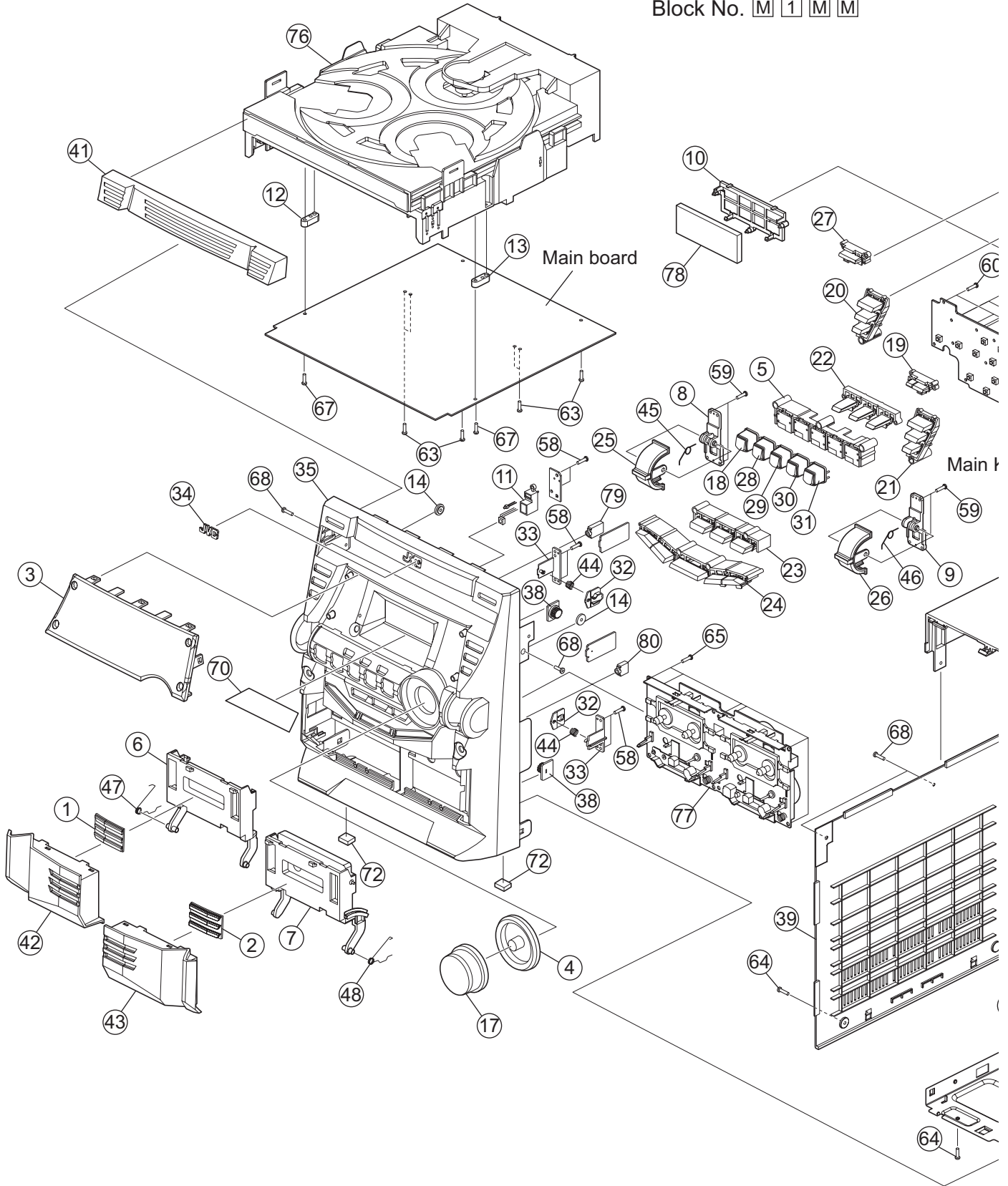
UW ----- Brazil, Mexico, Peru

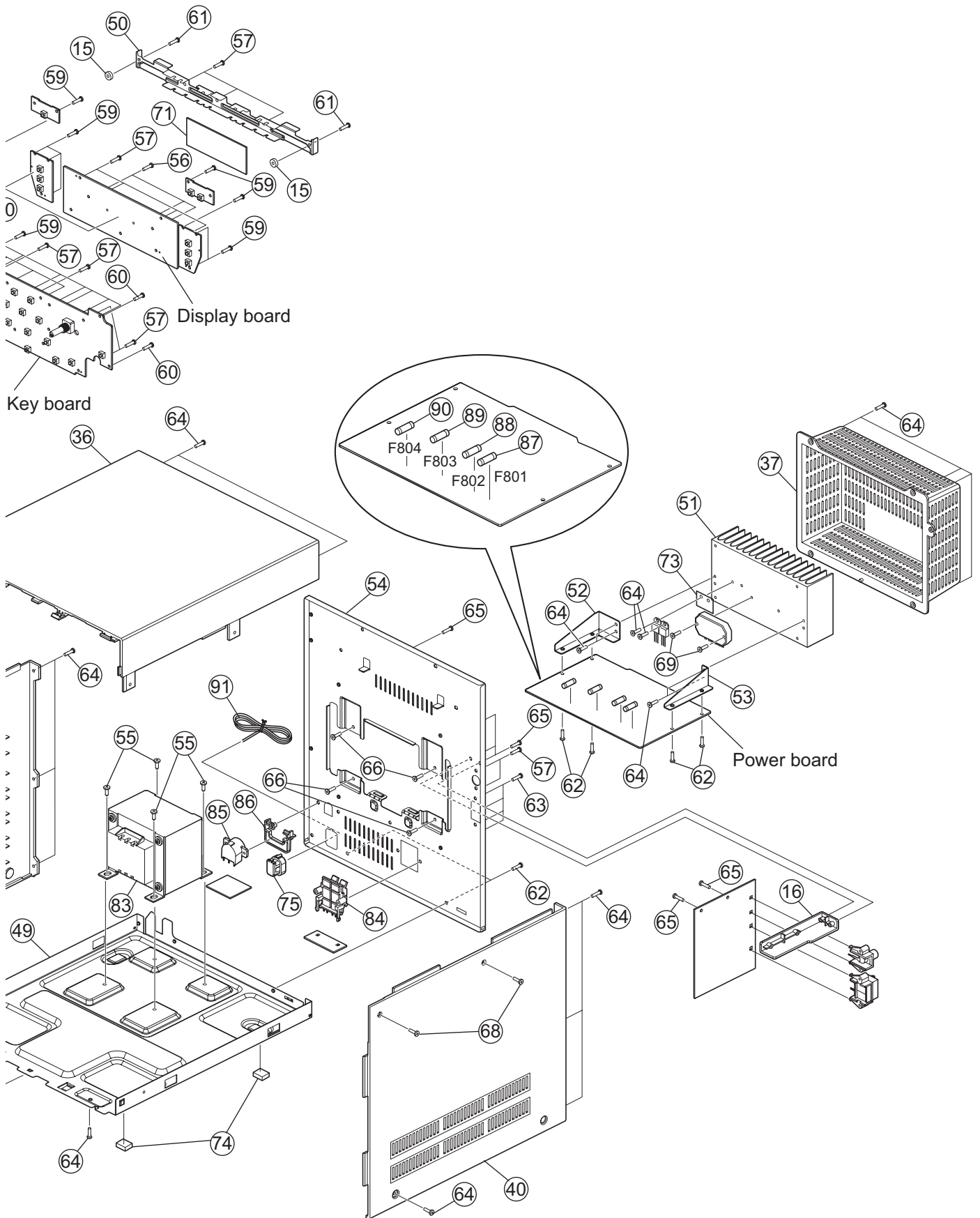
- Contents -

Exploded view of general assembly and parts list (Block No.M1)	3- 2
Electrical parts list (Block No.01~04)	3- 6
Packing materials and accessories parts list (Block No.M3)	3-14

Exploded view of general assembly and parts list

Block No. M 1 M M





General Assembly

Block No. [M][1][M][M]

△	Symbol No.	Part No.	Part Name	Description	Local
	1	OW43-01001-03	CASS LENS L		
	2	OW43-01001-04	CASS LENS R		
	3	OW43-01001-02	DISPLAY WINDOW		KB1
	3	OW43-01001-05	DISPLAY WINDOW		KB2
	4	OW48-01001-00	VOLUME RING		
	5	OW48-01001-01	KNOB BRACKET	FUNCTION	
	6	OW48-01001-02	CASS BRACKET L		
	7	OW48-01001-03	CASS BRACKET R		
	8	OW48-01001-04	BASS KNOB LEVER		
	9	OW48-01001-05	SOUND KNOB LEVER		
	10	OW48-01001-06	VFD BRACKET		
	11	OW48-01001-07	REMOTE BRACKET		
	12	OW48-01001-08	PCB BRACKET L	MAIN	
	13	OW48-01001-09	PCB BRACKET R	MAIN	
	14	OW48-01001-10	SUPPORT BLOCK	(x2)	
	15	OW48-01001-11	SUPPORT WASHER	(x2)	
	16	OW48-01001-12	PCB BRACKET	TUNER	
	17	OW51-01001-00	VOLUME KNOB		
	18	OW53-01001-00	AUX KNOB		
	19	OW53-01001-01	OPEN CLOSE KNOB		
	20	OW53-01001-02	RECORD KNOB		
	21	OW53-01001-03	REPEAT KNOB		
	22	OW53-01001-04	CLOCK KNOB		
	23	OW53-01001-05	CD KNOB		
	24	OW53-01001-06	STOP KNOB		
	25	OW53-01001-07	BASS KNOB		
	26	OW53-01001-08	SOUND KNOB		
	27	OW53-01001-09	POWER KNOB		
	28	OW53-01001-11	FM/AM KNOB		
	29	OW53-01001-12	CD PLAY KNOB		
	30	OW53-01001-13	TAPE A KNOB		
	31	OW53-01001-14	TAPE B KNOB		
	32	OW55-00005-80	LATCH	(x2)	
	33	OW55-00005-81	LATCH HOLDER	(x2)	
	34	OW55-01001-00	JVC BADGE		
	35	OW60-01001-02	FRONT PANEL		
	36	OW60-01001-01	TOP CABINET		
	37	OW61-01001-00	HEATSINK COVER		
	38	OW63-00303-80	DAMPER GEAR	for CASS DOOR(x2)	
	39	OW65-01001-00	SIDE PANEL L		
	40	OW65-01001-01	SIDE PANEL R		
	41	OW66-01001-00	3 CD DOOR		
	42	OW66-01001-01	CASS DOOR L		
	43	OW66-01001-02	CASS DOOR R		
	44	OW36-00005-80	CASS SPRING	(x2)	
	45	OW36-01001-00	SPRING	BASS KNOB	
	46	OW36-01001-01	SPRING	SOUND KNOB	
	47	OW36-01001-02	SPRING	CASS DOOR L	
	48	OW36-01001-03	SPRING	CASS DOOR R	
	49	OW39-01001-01	BOTTOM		
	50	OW39-01001-03	SUPPORT PLATE	for DISPLAY&KEY PCB	
	51	OW39-01001-04	HEAT SINK		
	52	OW39-01001-05	HEAT SINK BKT L		
	53	OW39-01001-06	HEAT SINK BKT R		
	54	OW39-01001-17	BACK PLATE		KB1
	54	OW39-01001-10	BACK PLATE		KB2
	55	OW40-84006-53	SCREW	(x4)	
	56	OW40-92008-01	SCREW	(x3)	
	57	OW40-92608-11	SCREW	(x13)	
	58	OW40-92610-01	SCREW	(x6)	
	59	OW40-92612-01	SCREW	(x19)	
	60	OW40-92615-01	SCREW	(x6)	
	61	OW40-92616-01	SCREW	(x2)	
	62	OW40-93006-51	SCREW	(x6)	
	63	OW40-93008-11	SCREW	(x10)	
	64	OW40-93008-51	SCREW	(x22)	
	65	OW40-93010-01	SCREW	(x12)	
	66	OW40-93010-51	SCREW	(x4)	
	67	OW40-93015-01	SCREW	(x4)	
	68	OW40-93015-02	SCREW	(x6)	
	69	OW40-93015-51	SCREW	(x2)	
	70	OW43-01001-00	MIRROR SHEET		
	71	OW68-91002-00	SHIELD PAPER		
	72	OW81-01001-00	RUBBER FOOT	(x2)	

△	Symbol No.	Part No.	Part Name	Description	Local
	73	OW81-01001-01	MICA SHEET		
	74	OW81-01001-02	RUBBER FOOT	(x2)	
△	75	OW84-10002-80	STRAIN RELIEF		
	76	OW98-01001-00	CD CHANGER	CMS-FR3BN	
	77	OW94-01002-00	CASSETTE MECHA	CWM43FF44	
	78	OW91-01002-00	VFD DISPLAY		
	79	OW12-21235-80	HEADPHONE JACK	EJ-3511-0202B	
	80	OW12-10035-12	PHONE JACK	F3.5 ST-101	
△	83	OW15-01002-05	POWER TRANS	EI-76	KB1
△	83	OW15-01002-02	POWER TRANS	EI-76	KB2
	84	OW12-00006-81	SPK TERMINAL	CJ-0007-040	
△	85	OW16-60014-80	VOL SELECTOR		
	86	OW48-01001-14	BRACKET	VOLTAGE SELECTOR	
△	87	OW33-57402-02	FUSE	F801 4A 250V	
△	88	OW33-57402-02	FUSE	F802 4A 250V	
△	89	OW33-57202-03W	FUSE	F803 2A 250V	
△	90	OW33-57402-02	FUSE	F804 4A 250V	
△	91	OW30-00300-01L	AC CORD		

Electrical parts list

Main board

Block No. [0][1]					△ Symbol No.	Part No.	Part Name	Description	Local
△ Symbol No.	Part No.	Part Name	Description	Local					
U101	TA8189N	IC	OW03-08189-80		C100	OW05-73561-00	C CAPACITOR	560pF	
U201	TC9422	IC	OW03-09422-80		C101	OW05-73561-00	C CAPACITOR	560pF	
U202	TA7291S	IC	OW03-07291-80		C102	OW05-73221-00	C CAPACITOR	220pF	
U203	TA7291S	IC	OW03-07291-80		C104	OW05-73391-05	C CAPACITOR	390pF	
U300	87EP26F-4K76	IC	OW03-87261-80		C105	OW05-73391-05	C CAPACITOR	390pF	
U401	TC9462F	IC	OW03-09462-80		C106	OW05-73820-00	C CAPACITOR	82pF	
U402	TA2153FN	IC	OW03-02153-80		C107	OW05-73820-00	C CAPACITOR	82pF	
U403	TA2092N	IC	OW03-02092-80		C108	OW05-73561-00	C CAPACITOR	560pF	
U404	TC94A02F	IC	OW03-09402-80	KB2	C109	OW05-73561-00	C CAPACITOR	560pF	
U405	AS7C31024-15JC	IC	OW03-31024-80	KB2	C110	OW05-73561-00	C CAPACITOR	560pF	
U406	TC74HC14	IC	OW03-07404-80	KB2	C111	OW05-73561-00	C CAPACITOR	560pF	
Q100	DTC314TS	TRANSISTOR	OW01-00314-20		C120	OW05-73102-06F	C CAPACITOR	1000pF	
Q101	DTC314TS	TRANSISTOR	OW01-00314-20		C121	OW05-73102-06F	C CAPACITOR	1000pF	
Q102	2SC945-P	TRANSISTOR	OW01-00945-80		C124	OW05-73104-06F	C CAPACITOR	0.1uF	
Q103	2SC945-P	TRANSISTOR	OW01-00945-80		C125	OW05-73104-06F	C CAPACITOR	0.1uF	
Q104	2SA733PNP	TRANSISTOR	OW01-00733-80		C126	OW05-73221-00	C CAPACITOR	220pF	
Q105	2SC945-P	TRANSISTOR	OW01-00945-80		C127	OW05-73221-00	C CAPACITOR	220pF	
Q106	2SC945-P	TRANSISTOR	OW01-00945-80		C130	OW05-73104-06F	C CAPACITOR	0.1uF	
Q108	KSA928A-Y	TRANSISTOR	OW01-00928-80B		C131	OW05-73104-06F	C CAPACITOR	0.1uF	
Q109	2SC945-P	TRANSISTOR	OW01-00945-80		C132	OW05-73104-06F	C CAPACITOR	0.1uF	
Q110	KSA928A-Y	TRANSISTOR	OW01-00928-80B		C133	OW05-73102-06F	C CAPACITOR	1000pF	
Q111	2SC945-P	TRANSISTOR	OW01-00945-80		C134	OW05-73102-06F	C CAPACITOR	1000pF	
Q112	KSA928A-Y	TRANSISTOR	OW01-00928-80B		C156	OW05-73103-06F	C CAPACITOR	0.01uF	
Q113	2SC945-P	TRANSISTOR	OW01-00945-80		C200	OW05-73104-06F	C CAPACITOR	0.1uF	
Q115	2SA733PNP	TRANSISTOR	OW01-00733-80		C201	OW05-73561-00	C CAPACITOR	560pF	
Q116	DTC314TS	TRANSISTOR	OW01-00314-20		C202	OW05-73561-00	C CAPACITOR	560pF	
Q117	DTC314TS	TRANSISTOR	OW01-00314-20		C203	OW05-73104-06F	C CAPACITOR	0.1uF	
Q118	DTC314TS	TRANSISTOR	OW01-00314-20		C204	OW05-73104-06F	C CAPACITOR	0.1uF	
Q119	DTC314TS	TRANSISTOR	OW01-00314-20		C205	OW05-73103-06F	C CAPACITOR	0.01uF	
Q120	DTC314TS	TRANSISTOR	OW01-00314-20		C206	OW05-73103-06F	C CAPACITOR	0.01uF	
Q121	DTC314TS	TRANSISTOR	OW01-00314-20		C207	OW05-73471-06F	C CAPACITOR	470pF	
Q122	2SA733PNP	TRANSISTOR	OW01-00733-80		C208	OW05-73471-06F	C CAPACITOR	470pF	
Q123	2SC945-P	TRANSISTOR	OW01-00945-80		C209	OW05-73104-06F	C CAPACITOR	0.1uF	
Q207	2SC945-P	TRANSISTOR	OW01-00945-80		C210	OW05-73104-06F	C CAPACITOR	0.1uF	
Q208	KSA928A-Y	TRANSISTOR	OW01-00928-80B		C211	OW05-73104-06F	C CAPACITOR	0.1uF	
Q209	2SC945-P	TRANSISTOR	OW01-00945-80		C212	OW05-73820-00	C CAPACITOR	82pF	
Q210	KSA928A-Y	TRANSISTOR	OW01-00928-80B		C213	OW05-73820-00	C CAPACITOR	82pF	
Q211	2SC945-P	TRANSISTOR	OW01-00945-80		C214	OW05-73104-06F	C CAPACITOR	0.1uF	
Q212	2SC945-P	TRANSISTOR	OW01-00945-80		C215	OW05-73104-06F	C CAPACITOR	0.1uF	
Q300	2SC945-P	TRANSISTOR	OW01-00945-80		C218	OW05-73104-06F	C CAPACITOR	0.1uF	
Q302	2SC945-P	TRANSISTOR	OW01-00945-80		C219	OW05-73103-06F	C CAPACITOR	0.01uF	
Q402	2SC945-P	TRANSISTOR	OW01-00945-80	KB1	C220	OW05-73103-06F	C CAPACITOR	0.01uF	
Q403	2SC945-P	TRANSISTOR	OW01-00945-80	KB1	C221	OW05-73104-06F	C CAPACITOR	0.1uF	
Q405	2SA733PNP	TRANSISTOR	OW01-00733-80		C222	OW05-73101-00	C CAPACITOR	100pF	
Q406	2SC945-P	TRANSISTOR	OW01-00945-80	KB2	C223	OW05-77104-82	C CAPACITOR	Axial 0.1uF	KB1
Q407	2SC945-P	TRANSISTOR	OW01-00945-80	KB2	C224	OW05-77104-82	C CAPACITOR	Axial 0.1uF	KB1
Q408	2SC945-P	TRANSISTOR	OW01-00945-80	KB2	C300	OW05-73104-06F	C CAPACITOR	0.1uF	
Q409	8050D	TRANSISTOR	OW01-08050-81	KB2	C301	OW05-73104-06F	C CAPACITOR	0.1uF	
Q410	8050D	TRANSISTOR	OW01-08050-81	KB2	C302	OW05-73150-00	C CAPACITOR	15pF	
Q411	8050D	TRANSISTOR	OW01-08050-81	KB2	C303	OW07-76000-30	C RESISTOR	0 ohm 1/16W	
D300	1N4148	DIODE	OW02-04148-81		C304	OW05-73240-00	C CAPACITOR	24pF	
D301	1N4148	DIODE	OW02-04148-81		C305	OW05-73240-00	C CAPACITOR	24pF	
D302	1N4148	DIODE	OW02-04148-81		C306	OW05-73150-00	C CAPACITOR	15pF	
D303	1N4148	DIODE	OW02-04148-81		C307	OW05-73104-06F	C CAPACITOR	0.1uF	
D304	1N4148	DIODE	OW02-04148-81		C308	OW05-73104-06F	C CAPACITOR	0.1uF	
D305	1N4148	DIODE	OW02-04148-81		C309	OW05-73104-06F	C CAPACITOR	0.1uF	
D404	1N4001	DIODE	OW02-04001-81		C310	OW05-73223-06F	C CAPACITOR	0.022uF	
D405	1N4148	DIODE	OW02-04148-81	KB1	C311	OW05-73223-06F	C CAPACITOR	0.022uF	
D406	1N4001	DIODE	OW02-04001-81		C315	OW05-73104-06F	C CAPACITOR	0.1uF	
Z200	3.3V0.5W	Z DIODE	OW02-50033-80T		C316	OW05-73103-06F	C CAPACITOR	0.01uF	
Z201	6.2V0.5W	Z DIODE	OW02-50062-80		C317	OW05-73103-06F	C CAPACITOR	0.01uF	
Z306	10V0.5W	Z DIODE	OW02-50100-80		C318	OW05-73104-06F	C CAPACITOR	0.1uF	
Z402	3.3V0.5W	Z DIODE	OW02-50033-80T	KB2	C319	OW05-73104-06F	C CAPACITOR	0.1uF	
Z403	3.3V0.5W	Z DIODE	OW02-50033-80T	KB2	C320	OW05-73104-06F	C CAPACITOR	0.1uF	
Z404	3.9V0.5W	Z DIODE	OW02-50039-81	KB2	C322	OW05-73104-06F	C CAPACITOR	0.1uF	
C03	OW05-77102-10	C CAPACITOR	Axial 1000pF		C400	OW05-73104-06F	C CAPACITOR	0.1uF	
C04	OW05-77102-10	C CAPACITOR	Axial 1000pF		C402	OW05-73102-06F	C CAPACITOR	1000pF	
C05	OW05-77102-10	C CAPACITOR	Axial 1000pF		C403	OW05-73102-06F	C CAPACITOR	1000pF	
C06	OW05-77102-10	C CAPACITOR	Axial 1000pF		C405	OW05-73330-00	C CAPACITOR	33pF	
					C406	OW05-73330-00	C CAPACITOR	33pF	
					C407	OW05-73473-00	C CAPACITOR	0.047uF	
					C408	OW05-73473-00	C CAPACITOR	0.047uF	
					C409	OW05-73473-00	C CAPACITOR	0.047uF	
					C410	OW05-73103-06F	C CAPACITOR	0.01uF	
					C411	OW05-73473-00	C CAPACITOR	0.047uF	
					C412	OW05-73104-06F	C CAPACITOR	0.1uF	

△ Symbol No.	Part No.	Part Name	Description	Local	△ Symbol No.	Part No.	Part Name	Description	Local
C413	OW05-73473-00	C CAPACITOR	0.047uF		R124	OW07-75513-06	C RESISTOR	51 Kohm 1/16W	
C414	OW05-73153-00	C CAPACITOR	0.015uF		R125	OW07-75513-06	C RESISTOR	51 Kohm 1/16W	
C415	OW05-73470-06F	C CAPACITOR	47pF		R126	OW07-75562-06F	C RESISTOR	5.6 Kohm 1/16W	
C416	OW05-73104-06F	C CAPACITOR	0.1uF		R127	OW07-75562-06F	C RESISTOR	5.6 Kohm 1/16W	
C417	OW05-73103-06F	C CAPACITOR	0.01uF		R128	OW07-75221-06F	C RESISTOR	220 ohm 1/16W	
C418	OW05-73272-00	C CAPACITOR	2700pF		R129	OW07-75103-06F	C RESISTOR	10 Kohm 1/16W	
C419	OW05-73104-06F	C CAPACITOR	0.1uF		R131	OW07-75104-06F	C RESISTOR	100 Kohm 1/16W	
C420	OW05-73104-06F	C CAPACITOR	0.1uF		R132	OW07-75104-06F	C RESISTOR	100 Kohm 1/16W	
C421	OW05-73473-00	C CAPACITOR	0.047uF		R133	OW07-75472-06F	C RESISTOR	4.7 Kohm 1/16W	
C422	OW05-73104-06F	C CAPACITOR	0.1uF		R134	OW07-75473-06F	C RESISTOR	47 Kohm 1/16W	
C423	OW05-73473-00	C CAPACITOR	0.047uF		R135	OW07-75223-06F	C RESISTOR	22 Kohm 1/16W	
C424	OW05-73104-06F	C CAPACITOR	0.1uF		R136	OW07-75220-06F	C RESISTOR	22 ohm 1/16W	
C425	OW05-73104-06F	C CAPACITOR	0.1uF		R137	OW07-74100-50T	C RESISTOR	10 ohm 1/8W	
C426	OW05-73473-00	C CAPACITOR	0.047uF		R138	OW07-75472-06F	C RESISTOR	4.7 Kohm 1/16W	
C427	OW05-73473-00	C CAPACITOR	0.047uF		R139	OW07-75103-06F	C RESISTOR	10 Kohm 1/16W	
C428	OW05-73471-06F	C CAPACITOR	470pF		R140	OW07-75103-06F	C RESISTOR	10 Kohm 1/16W	
C429	OW05-73471-06F	C CAPACITOR	470pF		R141	OW07-75103-06F	C RESISTOR	10 Kohm 1/16W	
C430	OW05-73473-00	C CAPACITOR	0.047uF		R142	OW07-75473-06F	C RESISTOR	47 Kohm 1/16W	
C431	OW05-73473-00	C CAPACITOR	0.047uF		R143	OW07-75103-06F	C RESISTOR	10 Kohm 1/16W	
C432	OW05-73224-06F	C CAPACITOR	0.22uF		R144	OW07-75473-06F	C RESISTOR	47 Kohm 1/16W	
C433	OW05-73224-06F	C CAPACITOR	0.22uF		R145	OW07-75473-06F	C RESISTOR	47 Kohm 1/16W	
C434	OW05-73104-06F	C CAPACITOR	0.1uF		R146	OW07-75473-06F	C RESISTOR	47 Kohm 1/16W	
C435	OW05-73820-00	C CAPACITOR	82pF		R147	OW07-75103-06F	C RESISTOR	10 Kohm 1/16W	
C436	OW05-73104-06F	C CAPACITOR	0.1uF		R148	OW07-75472-06F	C RESISTOR	4.7 Kohm 1/16W	
C437	OW05-73020-00	C CAPACITOR	2pF		R149	OW07-75103-06F	C RESISTOR	10 Kohm 1/16W	
C438	OW05-73473-00	C CAPACITOR	0.047uF		R150	OW07-75473-06F	C RESISTOR	47 Kohm 1/16W	
C439	OW05-73104-06F	C CAPACITOR	0.1uF	KB2	R151	OW07-75473-06F	C RESISTOR	47 Kohm 1/16W	
C440	OW05-73104-06F	C CAPACITOR	0.1uF	KB2	R152	OW07-75103-06F	C RESISTOR	10 Kohm 1/16W	
C441	OW05-73101-00	C CAPACITOR	100pF	KB2	R153	OW07-75102-06F	C RESISTOR	1 Kohm 1/16W	
C442	OW05-73104-06F	C CAPACITOR	0.1uF	KB2	R154	OW07-75473-06F	C RESISTOR	47 Kohm 1/16W	
C443	OW05-73104-06F	C CAPACITOR	0.1uF	KB2	R155	OW07-75472-06F	C RESISTOR	4.7 Kohm 1/16W	
C444	OW05-73104-06F	C CAPACITOR	0.1uF	KB2	R156	OW07-75103-06F	C RESISTOR	10 Kohm 1/16W	
C445	OW05-73222-00	C CAPACITOR	2200pF	KB2	R157	OW07-75102-06F	C RESISTOR	1 Kohm 1/16W	
C446	OW05-73222-00	C CAPACITOR	2200pF	KB2	R158	OW07-75473-06F	C RESISTOR	47 Kohm 1/16W	
C447	OW05-73104-06F	C CAPACITOR	0.1uF	KB2	R159	OW07-75472-06F	C RESISTOR	4.7 Kohm 1/16W	
C448	OW05-73104-06F	C CAPACITOR	0.1uF	KB2	R160	OW07-75103-06F	C RESISTOR	10 Kohm 1/16W	
C449	OW05-73104-06F	C CAPACITOR	0.1uF	KB2	R161	OW07-75102-06F	C RESISTOR	1 Kohm 1/16W	
C450	OW05-73104-06F	C CAPACITOR	0.1uF	KB2	R162	OW07-75472-06F	C RESISTOR	4.7 Kohm 1/16W	
C451	OW05-73104-06F	C CAPACITOR	0.1uF	KB2	R163	OW07-75473-06F	C RESISTOR	47 Kohm 1/16W	
C452	OW05-73104-06F	C CAPACITOR	0.1uF	KB2	R164	OW07-75473-06F	C RESISTOR	47 Kohm 1/16W	
C453	OW05-73334-00	C CAPACITOR	0.33uF	KB2	R165	OW07-75473-06F	C RESISTOR	47 Kohm 1/16W	
C454	OW05-73104-06F	C CAPACITOR	0.1uF	KB2	R166	OW07-75473-06F	C RESISTOR	47 Kohm 1/16W	
C455	OW05-73104-06F	C CAPACITOR	0.1uF	KB2	R169	OW07-75103-06F	C RESISTOR	10 Kohm 1/16W	
C457	OW05-73561-00	C CAPACITOR	560pF	KB1	R171	OW07-75105-06F	C RESISTOR	1 Mohm 1/16W	
C458	OW05-73561-00	C CAPACITOR	560pF	KB1	R172	OW07-75184-06F	C RESISTOR	180 Kohm 1/16W	
C460	OW05-73221-00	C CAPACITOR	220pF		R173	OW07-75184-06F	C RESISTOR	180 Kohm 1/16W	
C461	OW05-73473-00	C CAPACITOR	0.047uF		R174	OW07-75472-06F	C RESISTOR	4.7 Kohm 1/16W	
C462	OW05-73561-00	C CAPACITOR	560pF		R175	OW07-75472-06F	C RESISTOR	4.7 Kohm 1/16W	
C463	OW05-73561-00	C CAPACITOR	560pF		R176	OW07-75472-06F	C RESISTOR	4.7 Kohm 1/16W	
C465	OW05-73104-06F	C CAPACITOR	0.1uF	KB2	R178	OW07-75103-06F	C RESISTOR	10 Kohm 1/16W	
C466	OW05-73104-06F	C CAPACITOR	0.1uF		R179	OW07-75102-06F	C RESISTOR	1 Kohm 1/16W	
C468	OW05-77103-20	C CAPACITOR	Axial 0.01uF		R180	OW07-75102-06F	C RESISTOR	1 Kohm 1/16W	
C469	OW05-77103-20	C CAPACITOR	Axial 0.01uF		R181	OW07-75103-06F	C RESISTOR	10 Kohm 1/16W	
R100	OW07-75104-06F	C RESISTOR	100 Kohm 1/16W		R206	OW07-75103-06F	C RESISTOR	10 Kohm 1/16W	
R101	OW07-75104-06F	C RESISTOR	100 Kohm 1/16W		R208	OW07-75104-06F	C RESISTOR	100 Kohm 1/16W	
R102	OW07-75513-06	C RESISTOR	51 Kohm 1/16W		R209	OW07-75102-06F	C RESISTOR	1 Kohm 1/16W	
R103	OW07-75513-06	C RESISTOR	51 Kohm 1/16W		R210	OW07-75102-06F	C RESISTOR	1 Kohm 1/16W	
R104	OW07-75303-06	C RESISTOR	30 Kohm 1/16W		R211	OW07-75102-06F	C RESISTOR	1 Kohm 1/16W	
R105	OW07-75303-06	C RESISTOR	30 Kohm 1/16W		R212	OW07-75103-06F	C RESISTOR	10 Kohm 1/16W	
R106	OW07-75470-06	C RESISTOR	47 ohm 1/16W		R213	OW07-75103-06F	C RESISTOR	10 Kohm 1/16W	
R107	OW07-75470-06	C RESISTOR	47 ohm 1/16W		R214	OW07-74101-50T	C RESISTOR	100 ohm 1/8W	
R108	OW07-75184-06F	C RESISTOR	180 Kohm 1/16W		R217	OW07-74101-50T	C RESISTOR	100 ohm 1/8W	
R109	OW07-75184-06F	C RESISTOR	180 Kohm 1/16W		R218	OW07-76000-30	C RESISTOR	0 ohm 1/16W	
R110	OW07-75153-06F	C RESISTOR	15 Kohm 1/16W		R220	OW07-76000-30	C RESISTOR	0 ohm 1/16W	
R111	OW07-75153-06F	C RESISTOR	15 Kohm 1/16W		R222	OW07-75472-06F	C RESISTOR	4.7 Kohm 1/16W	
R112	OW07-75473-06F	C RESISTOR	47 Kohm 1/16W		R226	OW07-75473-06F	C RESISTOR	47 Kohm 1/16W	
R113	OW07-75103-06F	C RESISTOR	10 Kohm 1/16W		R227	OW07-75473-06F	C RESISTOR	47 Kohm 1/16W	
R114	OW07-75103-06F	C RESISTOR	10 Kohm 1/16W		R228	OW07-75103-06F	C RESISTOR	10 Kohm 1/16W	
R115	OW07-75103-06F	C RESISTOR	10 Kohm 1/16W		R229	OW07-75103-06F	C RESISTOR	10 Kohm 1/16W	
R116	OW07-75103-06F	C RESISTOR	10 Kohm 1/16W		R230	OW07-75103-06F	C RESISTOR	10 Kohm 1/16W	
R117	OW07-74101-50T	C RESISTOR	100 ohm 1/8W		R231	OW07-75103-06F	C RESISTOR	10 Kohm 1/16W	
R118	OW07-75394-06F	C RESISTOR	390 Kohm 1/16W		R232	OW07-75103-06F	C RESISTOR	10 Kohm 1/16W	
R119	OW07-75394-06F	C RESISTOR	390 Kohm 1/16W		R233	OW07-75103-06F	C RESISTOR	10 Kohm 1/16W	
R120	OW07-75391-06F	C RESISTOR	390 ohm 1/16W		R234	OW07-75391-06F	C RESISTOR	390 ohm 1/16W	
R121	OW07-75391-06F	C RESISTOR	390 ohm 1/16W		R239	OW07-75103-06F	C RESISTOR	10 Kohm 1/16W	
R122	OW07-75201-06	C RESISTOR	200 ohm 1/16W		R240	OW07-75103-06F	C RESISTOR	10 Kohm 1/16W	
R123	OW07-75201-06	C RESISTOR	200 ohm 1/16W		R241	OW07-75103-06F	C RESISTOR	10 Kohm 1/16W	
					R242	OW07-75103-06F	C RESISTOR	10 Kohm 1/16W	

△ Symbol No.	Part No.	Part Name	Description	Local	△ Symbol No.	Part No.	Part Name	Description	Local
R243	OW07-75221-06F	C RESISTOR	220 ohm 1/16W		R348	OW07-75103-06F	C RESISTOR	10 Kohm 1/16W	
R244	OW07-75332-06F	C RESISTOR	3.3 Kohm 1/16W		R350	OW07-75103-06F	C RESISTOR	10 Kohm 1/16W	
R245	OW07-75473-06F	C RESISTOR	47 Kohm 1/16W		R351	OW07-75103-06F	C RESISTOR	10 Kohm 1/16W	
R246	OW07-75223-06F	C RESISTOR	22 Kohm 1/16W		R354	OW07-75223-06F	C RESISTOR	22 Kohm 1/16W	
R247	OW07-75561-06	C RESISTOR	560 ohm 1/16W		R355	OW07-75331-06	C RESISTOR	330 ohm 1/16W	
R248	OW07-75473-06F	C RESISTOR	47 Kohm 1/16W		R357	OW07-75222-06F	C RESISTOR	2.2 Kohm 1/16W	
R249	OW07-75473-06F	C RESISTOR	47 Kohm 1/16W		R358	OW07-75334-06F	C RESISTOR	330 Kohm 1/16W	
R250	OW07-75472-06F	C RESISTOR	4.7 Kohm 1/16W		R361	OW07-74101-50T	C RESISTOR	100 ohm 1/8W	
R251	OW07-75472-06F	C RESISTOR	4.7 Kohm 1/16W		R401	OW07-75271-06	C RESISTOR	270 ohm 1/16W	KB1
R252	OW07-75472-06F	C RESISTOR	4.7 Kohm 1/16W		R402	OW07-75271-06	C RESISTOR	270 ohm 1/16W	KB1
R253	OW07-75472-06F	C RESISTOR	4.7 Kohm 1/16W		R403	OW07-75472-06F	C RESISTOR	4.7 Kohm 1/16W	KB1
R254	OW07-75472-06F	C RESISTOR	4.7 Kohm 1/16W		R406	OW07-75100-06F	C RESISTOR	10 ohm 1/16W	
R255	OW07-75472-06F	C RESISTOR	4.7 Kohm 1/16W		R407	OW07-75103-06F	C RESISTOR	10 Kohm 1/16W	
R256	OW07-75472-06F	C RESISTOR	4.7 Kohm 1/16W		R408	OW07-75103-06F	C RESISTOR	10 Kohm 1/16W	
R257	OW07-75472-06F	C RESISTOR	4.7 Kohm 1/16W		R409	OW07-75103-06F	C RESISTOR	10 Kohm 1/16W	
R262	OW07-75472-06F	C RESISTOR	4.7 Kohm 1/16W		R410	OW07-75103-06F	C RESISTOR	10 Kohm 1/16W	
R263	OW07-75473-06F	C RESISTOR	47 Kohm 1/16W		R411	OW07-75103-06F	C RESISTOR	10 Kohm 1/16W	
R264	OW07-75103-06F	C RESISTOR	10 Kohm 1/16W		R412	OW07-75103-06F	C RESISTOR	10 Kohm 1/16W	
R265	OW07-75102-06F	C RESISTOR	1 Kohm 1/16W		R413	OW07-75103-06F	C RESISTOR	10 Kohm 1/16W	
R266	OW07-75473-06F	C RESISTOR	47 Kohm 1/16W		R414	OW07-75103-06F	C RESISTOR	10 Kohm 1/16W	
R267	OW07-75473-06F	C RESISTOR	47 Kohm 1/16W		R417	OW07-75224-06	C RESISTOR	220 Kohm 1/16W	
R268	OW07-75103-06F	C RESISTOR	10 Kohm 1/16W		R418	OW07-75683-06F	C RESISTOR	68 Kohm 1/16W	
R269	OW07-75102-06F	C RESISTOR	1 Kohm 1/16W		R419	OW07-75103-06F	C RESISTOR	10 Kohm 1/16W	
R270	OW07-76000-30	C RESISTOR	0 ohm 1/16W		R420	OW07-75473-06F	C RESISTOR	47 Kohm 1/16W	
R271	OW07-76000-30	C RESISTOR	0 ohm 1/16W		R421	OW07-75332-06F	C RESISTOR	3.3 Kohm 1/16W	
R272	OW07-75152-06F	C RESISTOR	1.5 Kohm 1/16W		R422	OW07-75473-06F	C RESISTOR	47 Kohm 1/16W	
R273	OW07-75823-06F	C RESISTOR	82 Kohm 1/16W		R423	OW07-75222-06F	C RESISTOR	2.2 Kohm 1/16W	
R274	OW07-75104-06F	C RESISTOR	100 Kohm 1/16W		R424	OW07-75223-06F	C RESISTOR	22 Kohm 1/16W	
R275	OW07-75222-06F	C RESISTOR	2.2 Kohm 1/16W		R425	OW07-75221-06F	C RESISTOR	220 ohm 1/16W	
R276	OW07-75152-06F	C RESISTOR	1.5 Kohm 1/16W		R426	OW07-75102-06F	C RESISTOR	1 Kohm 1/16W	
R277	OW07-75823-06F	C RESISTOR	82 Kohm 1/16W		R427	OW07-75823-06F	C RESISTOR	82 Kohm 1/16W	
R278	OW07-75104-06F	C RESISTOR	100 Kohm 1/16W		R428	OW07-75220-06F	C RESISTOR	22 ohm 1/16W	
R279	OW07-75222-06F	C RESISTOR	2.2 Kohm 1/16W		R429	OW07-75332-06F	C RESISTOR	3.3 Kohm 1/16W	
R300	OW07-75102-06F	C RESISTOR	1 Kohm 1/16W		R430	OW07-75332-06F	C RESISTOR	3.3 Kohm 1/16W	
R301	OW07-75473-06F	C RESISTOR	47 Kohm 1/16W		R431	OW07-75332-06F	C RESISTOR	3.3 Kohm 1/16W	
R302	OW07-75473-06F	C RESISTOR	47 Kohm 1/16W		R432	OW07-75332-06F	C RESISTOR	3.3 Kohm 1/16W	
R303	OW07-75103-06F	C RESISTOR	10 Kohm 1/16W		R433	OW07-75562-06F	C RESISTOR	5.6 Kohm 1/16W	
R304	OW07-75222-06F	C RESISTOR	2.2 Kohm 1/16W		R434	OW07-75332-06F	C RESISTOR	3.3 Kohm 1/16W	
R306	OW07-75152-06F	C RESISTOR	1.5 Kohm 1/16W		R435	OW07-75332-06F	C RESISTOR	3.3 Kohm 1/16W	
R307	OW07-75152-06F	C RESISTOR	1.5 Kohm 1/16W		R436	OW07-74102-30T	C RESISTOR	1 Kohm 1/16W	
R308	OW07-75152-06F	C RESISTOR	1.5 Kohm 1/16W		R437	OW07-76000-30	C RESISTOR	0 ohm 1/16W	
R309	OW07-75103-06F	C RESISTOR	10 Kohm 1/16W		R438	OW07-75473-06F	C RESISTOR	47 Kohm 1/16W	
R310	OW07-75103-06F	C RESISTOR	10 Kohm 1/16W		R439	OW07-75473-06F	C RESISTOR	47 Kohm 1/16W	
R311	OW07-75103-06F	C RESISTOR	10 Kohm 1/16W		R440	OW07-75473-06F	C RESISTOR	47 Kohm 1/16W	
R313	OW07-75332-06F	C RESISTOR	3.3 Kohm 1/16W		R441	OW07-75473-06F	C RESISTOR	47 Kohm 1/16W	
R314	OW07-75472-06F	C RESISTOR	4.7 Kohm 1/16W		R442	OW07-75473-06F	C RESISTOR	47 Kohm 1/16W	
R315	OW07-75103-06F	C RESISTOR	10 Kohm 1/16W		R443	OW07-75473-06F	C RESISTOR	47 Kohm 1/16W	
R316	OW07-75102-06F	C RESISTOR	1 Kohm 1/16W		R444	OW07-75103-06F	C RESISTOR	10 Kohm 1/16W	
R317	OW07-75102-06F	C RESISTOR	1 Kohm 1/16W		R445	OW07-75103-06F	C RESISTOR	10 Kohm 1/16W	
R318	OW07-75102-06F	C RESISTOR	1 Kohm 1/16W		R446	OW07-75103-06F	C RESISTOR	10 Kohm 1/16W	
R319	OW07-75103-06F	C RESISTOR	10 Kohm 1/16W		R447	OW07-75103-06F	C RESISTOR	10 Kohm 1/16W	
R320	OW07-75103-06F	C RESISTOR	10 Kohm 1/16W		R448	OW07-75102-06F	C RESISTOR	1 Kohm 1/16W	KB1
R321	OW07-75103-06F	C RESISTOR	10 Kohm 1/16W		R448	OW07-75471-06	C RESISTOR	470 ohm 1/16W	KB2
R322	OW07-75472-06F	C RESISTOR	4.7 Kohm 1/16W		R450	OW07-75222-06F	C RESISTOR	2.2 Kohm 1/16W	KB2
R323	OW07-75222-06F	C RESISTOR	2.2 Kohm 1/16W		R451	OW07-75103-06F	C RESISTOR	10 Kohm 1/16W	KB2
R324	OW07-75103-06F	C RESISTOR	10 Kohm 1/16W		R452	OW07-75103-06F	C RESISTOR	10 Kohm 1/16W	KB2
R325	OW07-75472-06F	C RESISTOR	4.7 Kohm 1/16W		R453	OW07-75472-06F	C RESISTOR	4.7 Kohm 1/16W	KB2
R326	OW07-75103-06F	C RESISTOR	10 Kohm 1/16W		R454	OW07-75333-06	C RESISTOR	33 Kohm 1/16W	KB2
R327	OW07-76000-30	C RESISTOR	0 ohm 1/16W		R455	OW07-75103-06F	C RESISTOR	10 Kohm 1/16W	KB2
R329	OW07-75472-06F	C RESISTOR	4.7 Kohm 1/16W		R456	OW07-75103-06F	C RESISTOR	10 Kohm 1/16W	KB2
R330	OW07-75472-06F	C RESISTOR	4.7 Kohm 1/16W		R457	OW07-75222-06F	C RESISTOR	2.2 Kohm 1/16W	KB2
R331	OW07-75102-06F	C RESISTOR	1 Kohm 1/16W		R458	OW07-75102-06F	C RESISTOR	1 Kohm 1/16W	KB2
R332	OW07-75102-06F	C RESISTOR	1 Kohm 1/16W		R459	OW07-75472-06F	C RESISTOR	4.7 Kohm 1/16W	KB2
R333	OW07-75102-06F	C RESISTOR	1 Kohm 1/16W		R460	OW07-75271-06	C RESISTOR	270 ohm 1/16W	KB2
R334	OW07-75472-06F	C RESISTOR	4.7 Kohm 1/16W		R461	OW07-75271-06	C RESISTOR	270 ohm 1/16W	KB2
R335	OW07-75472-06F	C RESISTOR	4.7 Kohm 1/16W		R462	OW07-75103-06F	C RESISTOR	10 Kohm 1/16W	KB2
R336	OW07-75472-06F	C RESISTOR	4.7 Kohm 1/16W		R463	OW07-75103-06F	C RESISTOR	10 Kohm 1/16W	KB2
R337	OW07-75102-06F	C RESISTOR	1 Kohm 1/16W		R464	OW07-75103-06F	C RESISTOR	10 Kohm 1/16W	KB2
R338	OW07-75102-06F	C RESISTOR	1 Kohm 1/16W		R465	OW07-75102-06F	C RESISTOR	1 Kohm 1/16W	KB2
R339	OW07-75102-06F	C RESISTOR	1 Kohm 1/16W		R466	OW07-75271-06	C RESISTOR	270 ohm 1/16W	KB2
R340	OW07-75102-06F	C RESISTOR	1 Kohm 1/16W		R467	OW07-75103-06F	C RESISTOR	10 Kohm 1/16W	KB2
R341	OW07-75102-06F	C RESISTOR	1 Kohm 1/16W		R468	OW07-75225-06F	C RESISTOR	2.2 Mohm 1/16W	KB2
R342	OW07-75102-06F	C RESISTOR	1 Kohm 1/16W		R469	OW07-75271-06	C RESISTOR	270 ohm 1/16W	KB2
R343	OW07-75102-06F	C RESISTOR	1 Kohm 1/16W		R470	OW07-75103-06F	C RESISTOR	10 Kohm 1/16W	KB2
R344	OW07-75102-06F	C RESISTOR	1 Kohm 1/16W		R471	OW07-75103-06F	C RESISTOR	10 Kohm 1/16W	KB2
R345	OW07-75223-06F	C RESISTOR	22 Kohm 1/16W		R472	OW07-75103-06F	C RESISTOR	10 Kohm 1/16W	KB2
R346	OW07-75472-06F	C RESISTOR	4.7 Kohm 1/16W		R473	OW07-75103-06F	C RESISTOR	10 Kohm 1/16W	KB2
R347	OW07-75103-06F	C RESISTOR	10 Kohm 1/16W		R474	OW07-75103-06F	C RESISTOR	10 Kohm 1/16W	KB2

△ Symbol No.	Part No.	Part Name	Description	Local	△ Symbol No.	Part No.	Part Name	Description	Local
R475	OW07-75103-06F	C RESISTOR	10 Kohm 1/16W	KB2	EC102	OW06-70227-20	E CAPACITOR	220uF 10V	
R476	OW07-75103-06F	C RESISTOR	10 Kohm 1/16W	KB2	EC103	OW06-75475-20	E CAPACITOR	4.7uF 50V	
R477	OW07-75103-06F	C RESISTOR	10 Kohm 1/16W	KB2	EC104	OW06-75475-20	E CAPACITOR	4.7uF 50V	
R478	OW07-75103-06F	C RESISTOR	10 Kohm 1/16W	KB2	EC105	OW06-75475-20	E CAPACITOR	4.7uF 50V	
R479	OW07-75103-06F	C RESISTOR	10 Kohm 1/16W	KB2	EC106	OW06-75475-20	E CAPACITOR	4.7uF 50V	
R480	OW07-75103-06F	C RESISTOR	10 Kohm 1/16W	KB2	EC107	OW06-75475-20	E CAPACITOR	4.7uF 50V	
R481	OW07-75103-06F	C RESISTOR	10 Kohm 1/16W	KB2	EC108	OW06-75475-20	E CAPACITOR	4.7uF 50V	
R482	OW07-75103-06F	C RESISTOR	10 Kohm 1/16W	KB2	EC109	OW06-71476-20	E CAPACITOR	47uF 16V	
R484	OW07-75512-06	C RESISTOR	5.1 Kohm 1/16W	KB1	EC110	OW06-70108-20	E CAPACITOR	1000uF 10V	KB1
R484	OW07-75752-06	C RESISTOR	7.5 Kohm 1/16W	KB2	EC120	OW06-71476-20	E CAPACITOR	47uF 16V	
R485	OW07-75512-06	C RESISTOR	5.1 Kohm 1/16W	KB1	EC121	OW06-75225-20	E CAPACITOR	2.2uF 50V	
R485	OW07-75752-06	C RESISTOR	7.5 Kohm 1/16W	KB2	EC122	OW06-71477-20	E CAPACITOR	470uF 16V	
R486	OW07-75472-06F	C RESISTOR	4.7 Kohm 1/16W	KB1	EC123	OW06-75225-20	E CAPACITOR	2.2uF 50V	
R487	OW07-75753-06F	C RESISTOR	75 Kohm 1/16W		EC124	OW06-75225-20	E CAPACITOR	2.2uF 50V	
R489	OW07-76000-30	C RESISTOR	0 ohm 1/16W		EC125	OW06-70227-20	E CAPACITOR	220uF 10V	
R498	OW07-75103-06F	C RESISTOR	10 Kohm 1/16W		EC126	OW06-70107-20	E CAPACITOR	100uF 10V	
R499	OW07-75100-06F	C RESISTOR	10 ohm 1/16W		EC127	OW06-75475-20	E CAPACITOR	4.7uF 50V	
R500	OW07-75103-06F	C RESISTOR	10 Kohm 1/16W	KB2	EC128	OW06-75475-20	E CAPACITOR	4.7uF 50V	
R501	OW07-75103-06F	C RESISTOR	10 Kohm 1/16W	KB2	EC129	OW06-71476-20	E CAPACITOR	47uF 16V	
R502	OW07-75103-06F	C RESISTOR	10 Kohm 1/16W	KB2	EC207	OW06-70107-20	E CAPACITOR	100uF 10V	
R507	OW07-75103-06F	C RESISTOR	10 Kohm 1/16W	KB2	EC208	OW06-70227-20	E CAPACITOR	220uF 10V	
R508	OW07-75103-06F	C RESISTOR	10 Kohm 1/16W	KB2	EC209	OW06-70227-20	E CAPACITOR	220uF 10V	
R509	OW07-75103-06F	C RESISTOR	10 Kohm 1/16W	KB2	EC210	OW06-75225-20	E CAPACITOR	2.2uF 50V	
R510	OW07-75103-06F	C RESISTOR	10 Kohm 1/16W	KB2	EC211	OW06-75225-20	E CAPACITOR	2.2uF 50V	
R511	OW07-75103-06F	C RESISTOR	10 Kohm 1/16W	KB2	EC212	OW06-75225-20	E CAPACITOR	2.2uF 50V	
R513	OW07-75331-06	C RESISTOR	330 ohm 1/16W	KB2	EC213	OW06-75225-20	E CAPACITOR	2.2uF 50V	
R514	OW07-75331-06	C RESISTOR	330 ohm 1/16W	KB2	EC214	OW06-75225-20	E CAPACITOR	2.2uF 50V	
R516	OW07-75151-06F	C RESISTOR	50 ohm 1/16W	KB2	EC215	OW06-75225-20	E CAPACITOR	2.2uF 50V	
R517	OW07-75103-06F	C RESISTOR	10 Kohm 1/16W	KB2	EC216	OW06-75225-20	E CAPACITOR	2.2uF 50V	
R518	OW07-75103-06F	C RESISTOR	10 Kohm 1/16W	KB2	EC217	OW06-75225-20	E CAPACITOR	2.2uF 50V	
R519	OW07-75103-06F	C RESISTOR	10 Kohm 1/16W	KB2	EC218	OW06-75225-20	E CAPACITOR	2.2uF 50V	
R520	OW07-75103-06F	C RESISTOR	10 Kohm 1/16W	KB2	EC219	OW06-75225-20	E CAPACITOR	2.2uF 50V	
R521	OW07-75303-06	C RESISTOR	30 Kohm 1/16W	KB1	EC220	OW06-75225-20	E CAPACITOR	2.2uF 50V	
R521	OW07-75223-06F	C RESISTOR	22 Kohm 1/16W	KB2	EC221	OW06-75225-20	E CAPACITOR	2.2uF 50V	
R522	OW07-75222-06F	C RESISTOR	2.2 Kohm 1/16W	KB2	EC222	OW06-75105-20	E CAPACITOR	1uF 50V	
R523	OW07-75222-06F	C RESISTOR	2.2 Kohm 1/16W	KB2	EC223	OW06-75105-20	E CAPACITOR	1uF 50V	
R524	OW07-75222-06F	C RESISTOR	2.2 Kohm 1/16W	KB2	EC224	OW06-75475-20	E CAPACITOR	4.7uF 50V	
R525	OW07-75472-06F	C RESISTOR	4.7 Kohm 1/16W	KB2	EC225	OW06-75475-20	E CAPACITOR	4.7uF 50V	
R526	OW07-75472-06F	C RESISTOR	4.7 Kohm 1/16W	KB2	EC226	OW06-70227-20	E CAPACITOR	220uF 10V	
R527	OW07-75472-06F	C RESISTOR	4.7 Kohm 1/16W	KB2	EC227	OW06-70227-20	E CAPACITOR	220uF 10V	
R529	OW07-75303-06	C RESISTOR	30 Kohm 1/16W	KB1	EC228	OW06-71476-20	E CAPACITOR	47uF 16V	
R529	OW07-75223-06F	C RESISTOR	22 Kohm 1/16W	KB2	EC231	OW06-70227-20	E CAPACITOR	220uF 10V	
L100	OW09-39000-80	CHOKO COIL	39mH		EC232	OW06-71476-20	E CAPACITOR	47uF 16V	
L101	OW09-39000-80	CHOKO COIL	39mH		EC233	OW06-70107-20	E CAPACITOR	100uF 10V	
L102	OW09-70102-80	LEAD INDUCTOR	Axial 100mH		EC234	OW06-70107-20	E CAPACITOR	100uF 10V	
L200	OW09-70102-83	LEAD INDUCTOR	Axial CEC36-101K		EC235	OW06-75225-20	E CAPACITOR	2.2uF 50V	
L201	OW09-70102-83	LEAD INDUCTOR	Axial CEC36-101K		EC236	OW06-75225-20	E CAPACITOR	2.2uF 50V	
L300	OW09-70102-80	LEAD INDUCTOR	Axial 100mH		EC300	OW06-75105-20	E CAPACITOR	1uF 50V	
L301	OW09-70102-80	LEAD INDUCTOR	Axial 100mH		EC301	OW06-70108-20	E CAPACITOR	1000uF 10V	
L401	OW08-01122-80	FERRITE BEAD	RH03509ST-B246		EC302	OW06-70108-20	E CAPACITOR	1000uF 10V	
L402	OW08-01122-80	FERRITE BEAD	RH03509ST-B246		EC303	OW06-70107-20	E CAPACITOR	100uF 10V	
L403	OW08-01122-80	FERRITE BEAD	RH03509ST-B246		EC304	OW06-72226-20	E CAPACITOR	22uF 25V	
L404	OW09-70471-80	LEAD INDUCTOR	Axial 47mH		EC305	OW06-75105-20	E CAPACITOR	1uF 50V	
L405	OW09-70101-80	LEAD INDUCTOR	Axial 0mH		EC306	OW06-71476-20	E CAPACITOR	47uF 16V	
L406	OW09-70471-80	LEAD INDUCTOR	Axial 47mH	KB2	EC307	OW06-72106-20	E CAPACITOR	10uF 25V	
L407	OW09-70471-80	LEAD INDUCTOR	Axial 47mH	KB2	EC308	OW06-75475-20	E CAPACITOR	4.7uF 50V	
L408	OW09-70471-80	LEAD INDUCTOR	Axial 47mH	KB2	EC404	OW06-70227-20	E CAPACITOR	220uF 10V	
L409	OW09-70471-80	LEAD INDUCTOR	Axial 47mH	KB2	EC405	OW06-71476-20	E CAPACITOR	47uF 16V	
L410	OW09-70471-80	LEAD INDUCTOR	Axial 47mH	KB2	EC406	OW06-72226-20	E CAPACITOR	22uF 25V	
L411	OW09-70471-80	LEAD INDUCTOR	Axial 47mH	KB2	EC408	OW06-75105-20	E CAPACITOR	1uF 50V	
L412	OW09-70471-80	LEAD INDUCTOR	Axial 47mH		EC409	OW06-70107-20	E CAPACITOR	100uF 10V	
T100	OW08-07163-80	BIAS COIL	LOD8869056		EC411	OW06-71476-20	E CAPACITOR	47uF 16V	
CN100	OW20-21030-80	CONNECTOR	3P		EC412	OW06-71476-20	E CAPACITOR	47uF 16V	
CN101	OW20-21070-80	CONNECTOR	7P		EC413	OW06-71476-20	E CAPACITOR	47uF 16V	
CN103	OW20-80130-02	CONNECTOR	13P		EC415	OW06-70107-20	E CAPACITOR	100uF 10V	
CN202	OW20-61030-01	CONNECTOR	3P		EC416	OW06-71476-20	E CAPACITOR	47uF 16V	
CN204	OW20-41101-24	CONNECTOR	10P		EC417	OW06-70107-20	E CAPACITOR	100uF 10V	
CN205	OW20-61133-00	CONNECTOR	13P	KB2	EC425	OW06-71476-20	E CAPACITOR	47uF 16V	
CN206	OW20-42110-00	CONNECTOR	11P		EC426	OW06-72106-20	E CAPACITOR	10uF 25V	KB2
CN207	OW20-21130-80	CONNECTOR	13P		EC427	OW06-71477-20	E CAPACITOR	470uF 16V	
CN208	OW20-41020-00	CONNECTOR	2P		EC429	OW06-71476-20	E CAPACITOR	47uF 16V	KB2
CN401	OW20-80160-82	CONNECTOR	16P		EC430	OW06-71476-20	E CAPACITOR	47uF 16V	
CN402	OW20-21060-80	CONNECTOR	6P		EC431	OW06-71476-20	E CAPACITOR	47uF 16V	
C02	OW06-70108-20	E CAPACITOR	1000uF 10V	KB2	EC432	OW06-71476-20	E CAPACITOR	47uF 16V	
EC100	OW06-71476-20	E CAPACITOR	47uF 16V		EC433	OW06-75475-20	E CAPACITOR	4.7uF 50V	
EC101	OW06-70227-20	E CAPACITOR	220uF 10V		EC434	OW06-75475-20	E CAPACITOR	4.7uF 50V	
					EC436	OW06-71476-20	E CAPACITOR	47uF 16V	KB2
					EC437	OW06-71476-20	E CAPACITOR	47uF 16V	KB2

Symbol No.	Part No.	Part Name	Description	Local
EC438	OW06-71476-20	E CAPACITOR	47uF 16V	KB2
EC439	OW06-71476-20	E CAPACITOR	47uF 16V	KB2
EC440	OW06-71476-20	E CAPACITOR	47uF 16V	KB2
EC441	OW06-71476-20	E CAPACITOR	47uF 16V	KB2
EC442	OW06-71476-20	E CAPACITOR	47uF 16V	KB2
EC443	OW06-71476-20	E CAPACITOR	47uF 16V	KB2
EC444	OW06-71476-20	E CAPACITOR	47uF 16V	KB2
EC445	OW06-70227-20	E CAPACITOR	220uF 10V	KB2
JR10	OW07-75001-05F	C RESISTOR	0 ohm 1/8W	
JR11	OW07-75001-05F	C RESISTOR	0 ohm 1/8W	
JR12	OW07-75001-05F	C RESISTOR	0 ohm 1/8W	
JR13	OW07-75001-05F	C RESISTOR	0 ohm 1/8W	
JR14	OW07-75001-05F	C RESISTOR	0 ohm 1/8W	KB2
JR15	OW07-75001-05F	C RESISTOR	0 ohm 1/8W	KB2
JR16	OW07-75001-05F	C RESISTOR	0 ohm 1/8W	KB2
JR17	OW07-76000-30	C RESISTOR	0 ohm 1/16W	
JR18	OW07-75001-05F	C RESISTOR	0 ohm 1/8W	
JR19	OW07-75001-05F	C RESISTOR	0 ohm 1/8W	
JR20	OW07-76000-30	C RESISTOR	0 ohm 1/16W	KB2
JR21	OW07-76000-30	C RESISTOR	0 ohm 1/16W	KB2
JR22	OW07-75001-05F	C RESISTOR	0 ohm 1/8W	KB2
JR23	OW07-76000-30	C RESISTOR	0 ohm 1/16W	
JR24	OW07-76000-30	C RESISTOR	0 ohm 1/16W	
JR25	OW07-76000-30	C RESISTOR	0 ohm 1/16W	
JR26	OW07-75001-05F	C RESISTOR	0 ohm 1/8W	KB2
JR27	OW07-75001-05F	C RESISTOR	0 ohm 1/8W	KB2
JR28	OW07-75001-05F	C RESISTOR	0 ohm 1/8W	KB2
JR29	OW07-76000-30	C RESISTOR	0 ohm 1/16W	
JR31	OW07-75001-05F	C RESISTOR	0 ohm 1/8W	KB2
JR32	OW07-75001-05F	C RESISTOR	0 ohm 1/8W	KB2
JR33	OW07-75001-05F	C RESISTOR	0 ohm 1/8W	KB2
JR34	OW07-75001-05F	C RESISTOR	0 ohm 1/8W	KB2
JR35	OW07-75001-05F	C RESISTOR	0 ohm 1/8W	KB2
JR37	OW07-75001-05F	C RESISTOR	0 ohm 1/8W	
JR38	OW07-75001-05F	C RESISTOR	0 ohm 1/8W	
JR39	OW07-75001-05F	C RESISTOR	0 ohm 1/8W	
JR40	OW07-75001-05F	C RESISTOR	0 ohm 1/8W	
JR41	OW07-75001-05F	C RESISTOR	0 ohm 1/8W	
JR42	OW07-75001-05F	C RESISTOR	0 ohm 1/8W	
JR43	OW07-75001-05F	C RESISTOR	0 ohm 1/8W	
JR44	OW07-76000-30	C RESISTOR	0 ohm 1/16W	
JR45	OW07-76000-30	C RESISTOR	0 ohm 1/16W	
JR47	OW07-75001-05F	C RESISTOR	0 ohm 1/8W	
JR48	OW07-75001-05F	C RESISTOR	0 ohm 1/8W	
JR49	OW07-75001-05F	C RESISTOR	0 ohm 1/8W	
JR50	OW07-75001-05F	C RESISTOR	0 ohm 1/8W	
JR51	OW07-75001-05F	C RESISTOR	0 ohm 1/8W	
JR52	OW07-75001-05F	C RESISTOR	0 ohm 1/8W	
MC102	OW05-72822-10	M CAPACITOR	0.0082uF	
MC103	OW05-72822-10	M CAPACITOR	0.0082uF	
MC104	OW05-72472-10	M CAPACITOR	0.0047uF	
MC105	OW05-70221-05	C CAPACITOR	220pF	
MC106	OW05-72682-10	M CAPACITOR	0.0068uF	
MC107	OW05-72102-10	M CAPACITOR	0.001uF	
MC108	OW05-72102-10	M CAPACITOR	0.001uF	
MC109	OW05-72102-10	M CAPACITOR	0.001uF	
MC110	OW05-72102-10	M CAPACITOR	0.001uF	
MC111	OW05-72102-10	M CAPACITOR	0.001uF	
MC401	OW05-72472-10	M CAPACITOR	0.0047uF	
MC402	OW05-72472-10	M CAPACITOR	0.0047uF	
P1-P2	OW05-77104-82	C CAPACITOR	Axial 0.1uF	KB2
P3-P4	OW05-77104-82	C CAPACITOR	Axial 0.1uF	KB2
X300	OW09-50720-80	C RESONATOR	ZTA7.2MT	
X301	OW04-32768-80	CRYSTAL	32.768MHz	
X401	OW04-16934-70	CRYSTAL	16.9344MHz	
XXXXX	OW20-51061-20	CONNECTOR WIRE	6P To CD Pick up	
XXXXX	OW20-61030-00	CONNECTOR WIRE	3P For Play header	
XXXXX	OW20-61070-00	CONNECTOR WIRE	7P For R/P Header	
XXXXX	OW20-61073-11	CONNECTOR WIRE	7P To Power PCB	
XXXXX	OW39-00013-80	HEAT SINK	CDT13 for U403	
XXXXX	OW11-01002-00	MAIN PCB		
XXXXX	OW25-61135-80	FFC CABLE	16P	
XXXXX	OW25-61260-80	CABLE	13P	

Power board

Symbol No.	Part No.	Part Name	Description	Local
IC801	STK402-050	IC(HYBRID)	OW03-40205-00	
U802	L7809CV	IC	OW03-07809-85	
U803	L7806CV	IC	OW03-07806-84	
Q801	8050	TRANSISTOR	OW01-08050-80	
Q802	2SB1243	TRANSISTOR	OW01-01243-80	
Q803	8050	TRANSISTOR	OW01-08050-80	
Q812	8050	TRANSISTOR	OW01-08050-80	
Q813	8050	TRANSISTOR	OW01-08050-80	
Q860	8050	TRANSISTOR	OW01-08050-80	
Q861	8050	TRANSISTOR	OW01-08050-80	
Q862	8550	TRANSISTOR	OW01-08550-86	
Q864	8050	TRANSISTOR	OW01-08050-80	
Q865	8050	TRANSISTOR	OW01-08050-80	
Q867	8050	TRANSISTOR	OW01-08050-80	
Q868	8550	TRANSISTOR	OW01-08550-86	
Q869	8050	TRANSISTOR	OW01-08050-80	
Q870	8050	TRANSISTOR	OW01-08050-80	
Q871	8050	TRANSISTOR	OW01-08050-80	
D1	1N4148	DIODE	OW02-04148-81	
D2	1N4148	DIODE	OW02-04148-81	
D800	1N4148	DIODE	OW02-04148-81	
D803	1N4148	DIODE	OW02-04148-81	
D804	1N4001	DIODE	OW02-04001-81	
D806	1N4001	DIODE	OW02-04001-81	
D807	1N4001	DIODE	OW02-04001-81	
D808	1N4001	DIODE	OW02-04001-81	
D809	1N4001	DIODE	OW02-04001-81	
D845	1N4001	DIODE	OW02-04001-81	
D846	1N4001	DIODE	OW02-04001-81	
D849	1N5402	DIODE	OW02-05402-80	
D850	1N5402	DIODE	OW02-05402-80	
D851	1N5402	DIODE	OW02-05402-80	
D852	1N5402	DIODE	OW02-05402-80	
D864	1N4001	DIODE	OW02-04001-81	
D865	1N4148	DIODE	OW02-04148-81	
ZD822	13V0.5W	Z DIODE	OW02-50130-80	
ZD823	4.7V0.5W	Z DIODE	OW02-50047-80	
C802	OW05-73221-00	C CAPACITOR	220pF	
C803	OW05-73050-05	C CAPACITOR	5pF	
C804	OW05-73474-00	C CAPACITOR	0.47uF	
C805	OW05-73474-00	C CAPACITOR	0.47uF	
C806	OW05-73050-05	C CAPACITOR	5pF	
C807	OW05-73102-00	C CAPACITOR	1000pF	
C808	OW05-73102-00	C CAPACITOR	1000pF	
C814	OW05-73561-00	C CAPACITOR	560pF	
C815	OW05-73561-00	C CAPACITOR	560pF	
C816	OW05-73221-00	C CAPACITOR	220pF	
C821	OW05-73104-00	C CAPACITOR	0.1uF	
C839	OW05-73103-00	C CAPACITOR	0.01uF	
C842	OW05-73103-00	C CAPACITOR	0.01uF	
C860	OW05-73474-00	C CAPACITOR	0.47uF	
C861	OW05-73474-00	C CAPACITOR	0.47uF	
C862	OW05-73105-06F	C CAPACITOR	1uF	
C863	OW05-73105-06F	C CAPACITOR	1uF	
C865	OW05-73104-00	C CAPACITOR	0.1uF	
C866	OW05-73104-00	C CAPACITOR	0.1uF	
C901	OW05-70103-05	C CAPACITOR	0.01uF	KB1
C902	OW05-70103-05	C CAPACITOR	0.01uF	KB1
R801	OW07-75563-50	C RESISTOR	56 Kohm 1/8W	
R802	OW07-75102-50	C RESISTOR	1 Kohm 1/8W	
R803	OW07-75563-50	C RESISTOR	56 Kohm 1/8W	
R805	OW07-75103-50	C RESISTOR	10 Kohm 1/8W	
R806	OW07-74031-40	C RESISTOR	0.33 ohm 1W	
R807	OW07-74031-40	C RESISTOR	0.33 ohm 1W	
R809	OW07-75047-10	C RESISTOR	4.7 ohm 1W	
R810	OW07-74031-40	C RESISTOR	0.33 ohm 1W	
R812	OW07-75010-50	C RESISTOR	1 ohm 1/8W	
R815	OW07-74031-40	C RESISTOR	0.33 ohm 1W	
R816	OW07-70101-11	C RESISTOR	100 ohm 1/2W	
R817	OW07-75223-50	C RESISTOR	22 Kohm 1/8W	

Block No. [0][2]

△ Symbol No.	Part No.	Part Name	Description	Local	△ Symbol No.	Part No.	Part Name	Description	Local
R818	OW07-75153-50	C RESISTOR	15 Kohm 1/8W		CN801	OW20-11020-80	CONNECTOR	2P	
R819	OW07-75153-50	C RESISTOR	15 Kohm 1/8W		CN802	OW20-11070-80	CONNECTOR	7P	
R820	OW07-75047-10	C RESISTOR	4.7 ohm 1W		CN803	OW20-12110-80	CONNECTOR	11P	
R821	OW07-75563-50	C RESISTOR	56 Kohm 1/8W		CN804	OW20-45041-80	CONNECTOR	4P	
R823	OW07-75102-50	C RESISTOR	1 Kohm 1/8W		CN861	OW20-11050-80	CONNECTOR	5P	KB1
R824	OW07-75103-50	C RESISTOR	10 Kohm 1/8W		CN861	OW20-41051-37	CONNECTOR	5P	KB2
R825	OW07-75331-50	C RESISTOR	330 ohm 1/8W		CN901	OW20-15040-80	CONNECTOR	4P	
R826	OW07-75331-50	C RESISTOR	330 ohm 1/8W		CN902	OW20-41051-37	CONNECTOR	5P	KB1
R827	OW07-75103-50	C RESISTOR	10 Kohm 1/8W		CN902	OW20-11050-80	CONNECTOR	5P	KB2
R829	OW07-75102-50	C RESISTOR	1 Kohm 1/8W		GND1	OW37-00002-80	EYELET	F 2 X 4 mm	
R830	OW07-75563-50	C RESISTOR	56 Kohm 1/8W		J901	OW12-00006-81	SPEAKER JACK	NSX-1	
R831	OW07-75103-50	C RESISTOR	10 Kohm 1/8W		JK901	OW12-21235-80	HEADPHONE JACK	F 3.5 mm	
R832	OW07-75103-50	C RESISTOR	10 Kohm 1/8W		JW836	OW07-74472-50T	C RESISTOR	4.7 Kohm 1/8W	
R837	OW07-75102-50	C RESISTOR	1 Kohm 1/8W		JW901	OW09-00080-00	CHOKE COIL	8mH	
R853	OW07-75472-50	C RESISTOR	4.7 Kohm 1/8W		JW902	OW09-00080-00	CHOKE COIL	8mH	
R860	OW07-75472-50	C RESISTOR	4.7 Kohm 1/8W		△ RL801	OW16-50212-00	RELAY SWITCH	OSA-SS-212DM5 DC12V	
R861	OW07-75472-50	C RESISTOR	4.7 Kohm 1/8W		XXXXX	OW20-61133-00	CONNECTOR WIRE	13P Main CN205	KB1
R862	OW07-75103-50	C RESISTOR	10 Kohm 1/8W		XXXXX	OW08-04344-83	FERRITE CORE	For Headphone	KB1
R863	OW07-75103-50	C RESISTOR	10 Kohm 1/8W		XXXXX	OW39-10001-81	FUSE HOLDER	F801-F804(x4)	
R864	OW07-75103-50	C RESISTOR	10 Kohm 1/8W		XXXXX	OW81-00707-80	BUSHING	for U802	
R867	OW07-75000-50	C RESISTOR	0 ohm 1/8W		XXXXX	OW81-00707-80	BUSHING	for U803	
R868	OW07-75000-50	C RESISTOR	0 ohm 1/8W		XXXXX	OW11-01002-01	POWER PCB		
R870	OW07-75000-50	C RESISTOR	0 ohm 1/8W		XXXXX	OW11-01002-04	HEADPHONE PCB		
R871	OW07-75473-50	C RESISTOR	47 Kohm 1/8W		XXXXX	OW11-01002-06	SPEAKER PCB		
R872	OW07-75473-50	C RESISTOR	47 Kohm 1/8W		XXXXX	OW11-01002-17	VOL SELE PCB		
R877	OW07-75223-50	C RESISTOR	22 Kohm 1/8W		XXXXX	OW25-83120-80	CONNECTOR WIRE	2P A1B1 to A2B2	
R878	OW07-75102-50	C RESISTOR	1 Kohm 1/8W		XXXXX	OW84-00003-80	CABLE TIE	4 UL	
R879	OW07-75122-50	C RESISTOR	1.2 Kohm 1/8W						
R880	OW07-75122-50	C RESISTOR	1.2 Kohm 1/8W						
R881	OW07-75183-50	C RESISTOR	18 Kohm 1/8W						
R882	OW07-75183-50	C RESISTOR	18 Kohm 1/8W						
△ R883	OW07-15033-80	FUSE RESISTOR	3.3 ohm 1/4W	KB1					
R884	OW07-75103-50	C RESISTOR	10 Kohm 1/8W						
R885	OW07-75103-50	C RESISTOR	10 Kohm 1/8W						
R886	OW07-75561-50	C RESISTOR	560 ohm 1/8W						
R887	OW07-75561-50	C RESISTOR	560 ohm 1/8W						
R901	OW07-74561-40	C RESISTOR	560 ohm 1W						
R902	OW07-74561-40	C RESISTOR	560 ohm 1W						
L801	OW09-34004-80	CHOKE COIL	Spring 2mH						
L802	OW09-34004-80	CHOKE COIL	Spring 2mH						
L804	OW09-00080-00	CHOKE COIL	8mH						
L805	OW09-00080-00	CHOKE COIL	8mH						
AC3	OW37-00002-80	EYELET	F 2 X 4 mm						
AC5	OW37-00002-80	EYELET	F 2 X 4 mm						
AC6	OW37-00002-80	EYELET	F 2 X 4 mm						
AC7	OW37-00002-80	EYELET	F 2 X 4 mm						
AC8	OW37-00002-80	EYELET	F 2 X 4 mm						
AC9	OW37-00002-80	EYELET	F 2 X 4 mm						
AC-B	OW37-00002-80	EYELET	F 2 X 4 mm						
AC-L	OW37-00002-80	EYELET	F 2 X 4 mm						
AC-N	OW37-00002-80	EYELET	F 2 X 4 mm						
AC10	OW37-00002-80	EYELET	F 2 X 4 mm						
AC11	OW37-00002-80	EYELET	F 2 X 4 mm						
AC110	OW37-00002-80	EYELET	F 2 X 4 mm AC110V						
AC127	OW37-00002-80	EYELET	F 2 X 4 mm AC127V						
AC220	OW37-00002-80	EYELET	F 2 X 4 mm AC220V						
AC230	OW37-00002-80	EYELET	F 2 X 4 mm AC230-240V						
CE802	OW06-72228-20B	E CAPACITOR	2200uF 25V						
CE803	OW06-75107-20	E CAPACITOR	100uF 50V						
CE804	OW06-72477-20	E CAPACITOR	470uF 25V						
CE805	OW06-75106-20	E CAPACITOR	10uF 50V						
CE806	OW06-72107-20	E CAPACITOR	100uF 25V						
CE807	OW06-71107-20	E CAPACITOR	100uF 16V						
CE808	OW06-72107-20	E CAPACITOR	100uF 25V						
CE809	OW06-72107-20	E CAPACITOR	100uF 25V						
CE810	OW06-71107-20	E CAPACITOR	100uF 16V						
CE811	OW06-75476-20	E CAPACITOR	47uF 50V						
CE829	OW06-75228-80	E CAPACITOR	2200uF 50V						
CE830	OW06-75228-80	E CAPACITOR	2200uF 50V						
CE861	OW06-71107-20	E CAPACITOR	100uF 16V						
CE862	OW06-71107-20	E CAPACITOR	100uF 16V						
CE865	OW06-72107-20	E CAPACITOR	100uF 25V						
CE866	OW06-75106-20	E CAPACITOR	10uF 50V						

Display board

Block No. [0][3]

△ Symbol No.	Part No.	Part Name	Description	Local
U500	PT6311	IC	OW03-16311-80	
D500	1N4148	DIODE	OW02-04148-81	
C500	OW05-73104-06F	C CAPACITOR	0.1uF	
C501	OW05-73104-06F	C CAPACITOR	0.1uF	
C502	OW05-73221-00	C CAPACITOR	220pF	
C503	OW05-73221-00	C CAPACITOR	220pF	
C504	OW05-73474-03T	C CAPACITOR	B47K	
C505	OW05-73474-03T	C CAPACITOR	B47K	
C506	OW05-73104-06F	C CAPACITOR	0.1uF	
R500	OW07-75563-06F	C RESISTOR	56 Kohm 1/16W	
R501	OW07-75101-06F	C RESISTOR	100 ohm 1/16W	
R503	OW07-75681-06F	C RESISTOR	680 ohm 1/16W	
R504	OW07-75273-06F	C RESISTOR	27 Kohm 1/16W	
R505	OW07-75471-06F	C RESISTOR	470 ohm 1/16W	
R506	OW07-75681-06F	C RESISTOR	680 ohm 1/16W	
R507	OW07-75821-06	C RESISTOR	820 ohm 1/16W	
R508	OW07-75102-06F	C RESISTOR	1 Kohm 1/16W	
R509	OW07-75122-06	C RESISTOR	1.2 Kohm 1/16W	
R510	OW07-75152-06F	C RESISTOR	1.5 Kohm 1/16W	
R511	OW07-75182-06F	C RESISTOR	1.8 Kohm 1/16W	
R512	OW07-75222-06F	C RESISTOR	2.2 Kohm 1/16W	
R513	OW07-75272-06	C RESISTOR	2.7 Kohm 1/16W	
R514	OW07-75392-06	C RESISTOR	3.9 Kohm 1/16W	
R515	OW07-75562-06F	C RESISTOR	5.6 Kohm 1/16W	
R516	OW07-75822-06F	C RESISTOR	8.2 Kohm 1/16W	
R518	OW07-75273-06F	C RESISTOR	27 Kohm 1/16W	
R519	OW07-75471-06F	C RESISTOR	470 ohm 1/16W	
R520	OW07-75681-06F	C RESISTOR	680 ohm 1/16W	
R521	OW07-75821-06	C RESISTOR	820 ohm 1/16W	
R522	OW07-75102-06F	C RESISTOR	1 Kohm 1/16W	
R523	OW07-75122-06	C RESISTOR	1.2 Kohm 1/16W	
R524	OW07-75152-06F	C RESISTOR	1.5 Kohm 1/16W	
R525	OW07-75182-06F	C RESISTOR	1.8 Kohm 1/16W	
R526	OW07-75222-06F	C RESISTOR	2.2 Kohm 1/16W	
R527	OW07-75272-06	C RESISTOR	2.7 Kohm 1/16W	
R528	OW07-75392-06	C RESISTOR	3.9 Kohm 1/16W	
R529	OW07-75562-06F	C RESISTOR	5.6 Kohm 1/16W	

△ Symbol No.	Part No.	Part Name	Description	Local	△ Symbol No.	Part No.	Part Name	Description	Local
R530	OW07-75822-06F	C RESISTOR	8.2 Kohm 1/16W		Q606	9014	TRANSISTOR	OW01-09014-85	
R531	OW07-75153-06F	C RESISTOR	15 Kohm 1/16W		Q607	8550	TRANSISTOR	OW01-08550-86	
R532	OW07-75153-06F	C RESISTOR	15 Kohm 1/16W		Q608	2SC945-P	TRANSISTOR	OW01-00945-80	
L501	OW09-70102-80	LEAD INDUCTOR	Axial 47mH		Q609	2SC945-P	TRANSISTOR	OW01-00945-80	
L502	OW08-04446-00	FERRITE COIL	4T 46mH		Q611	2SC945-P	TRANSISTOR	OW01-00945-80	
L503	OW08-04446-00	FERRITE COIL	4T 46mH		D601	1N4148	DIODE	OW02-04148-81	
L504	OW08-04446-00	FERRITE COIL	4T 46mH		D602	1N4148	DIODE	OW02-04148-81	
CN500	OW20-41130-00	CONNECTOR	13P		D603	1N4148	DIODE	OW02-04148-81	
CN504	OW20-21030-80	CONNECTOR	3P		D604	1N4148	DIODE	OW02-04148-81	
CN505	OW20-11040-80	CONNECTOR	4P		ZD601	3.3V0.5W	Z DIODE	OW02-50033-80T	
CN508	OW20-41040-00	CONNECTOR	4P		C600	OW05-73104-00	C CAPACITOR	0.1uF	
EC500	OW06-70227-24	E CAPACITOR	220uF 10V		C601	OW05-73330-05	C CAPACITOR	33pF	
EC501	OW06-70226-24	E CAPACITOR	220uF 10V		C602	OW05-73330-05	C CAPACITOR	33pF	
EN500	OW18-51211-00	R.ENCODER	25 mm		C603	OW05-73104-00	C CAPACITOR	0.1uF	
IR500	OW02-61719-00	SENSOR	HRM138BB1719		C604	OW05-73223-00	C CAPACITOR	0.022uF	
LED500	L-1034HD	LED	OW02-21034-80 RED		C605	OW05-73102-00	C CAPACITOR	1000pF	
S500	OW16-10102-85	SWITCH	4.3 mm SKQSAE		C606	OW05-73102-00	C CAPACITOR	1000pF	
S501	OW16-10102-85	SWITCH	4.3 mm SKQSAE		C608	OW05-73103-00	C CAPACITOR	0.01uF	
S502	OW16-10102-85	SWITCH	4.3 mm SKQSAE		C609	OW05-73104-00	C CAPACITOR	0.1uF	
S503	OW16-10102-85	SWITCH	4.3 mm SKQSAE		C610	OW05-73331-00	C CAPACITOR	330pF	
S504	OW16-10102-85	SWITCH	4.3 mm SKQSAE		C611	OW05-73104-00	C CAPACITOR	0.1uF	
S505	OW16-10102-85	SWITCH	4.3 mm SKQSAE		C612	OW05-73100-05	C CAPACITOR	10pF	
S506	OW16-10102-85	SWITCH	4.3 mm SKQSAE		C613	OW05-73180-05	C CAPACITOR	18pF	
S507	OW16-10102-85	SWITCH	4.3 mm SKQSAE		C614	OW05-73060-05	C CAPACITOR	6pF	
S508	OW16-10102-85	SWITCH	4.3 mm SKQSAE		C615	OW05-73180-05	C CAPACITOR	18pF	
S509	OW16-10102-85	SWITCH	4.3 mm SKQSAE		C616	OW05-73220-05	C CAPACITOR	22pF	
S510	OW16-10102-85	SWITCH	4.3 mm SKQSAE		C617	OW07-75000-50	C RESISTOR	0 ohm 1/8W	
S511	OW16-10102-85	SWITCH	4.3 mm SKQSAE		C618	OW05-73220-05	C CAPACITOR	22pF	
S512	OW16-10102-85	SWITCH	4.3 mm SKQSAE		C619	OW05-73270-05	C CAPACITOR	27pF	
S513	OW16-10102-85	SWITCH	4.3 mm SKQSAE		C620	OW05-73103-00	C CAPACITOR	0.01uF	
S514	OW16-10102-85	SWITCH	4.3 mm SKQSAE		C621	OW05-73104-00	C CAPACITOR	0.1uF	
S515	OW16-10102-85	SWITCH	4.3 mm SKQSAE		C622	OW05-73104-00	C CAPACITOR	0.1uF	
S516	OW16-10102-85	SWITCH	4.3 mm SKQSAE		C623	OW05-73474-00	C CAPACITOR	0.47uF	
S517	OW16-10102-85	SWITCH	4.3 mm SKQSAE		C624	OW05-73103-00	C CAPACITOR	0.01uF	
S518	OW16-10102-85	SWITCH	4.3 mm SKQSAE		C625	OW05-73474-00	C CAPACITOR	0.47uF	
S519	OW16-10102-85	SWITCH	4.3 mm SKQSAE		C626	OW05-73105-06F	C CAPACITOR	1uF	
S520	OW16-10102-85	SWITCH	4.3 mm SKQSAE		C627	OW05-73105-06F	C CAPACITOR	1uF	
S521	OW16-10102-85	SWITCH	4.3 mm SKQSAE		C628	OW05-73474-00	C CAPACITOR	0.47uF	
S522	OW16-10102-85	SWITCH	4.3 mm SKQSAE		C629	OW05-73104-00	C CAPACITOR	0.1uF	
S523	OW16-10102-85	SWITCH	4.3 mm SKQSAE		C630	OW05-73104-00	C CAPACITOR	0.1uF	
S524	OW16-10102-85	SWITCH	4.3 mm SKQSAE		C631	OW05-73473-00	C CAPACITOR	0.047uF	
S527	OW16-10102-85	SWITCH	4.3 mm SKQSAE		C632	OW05-73104-00	C CAPACITOR	0.1uF	
S528	OW16-10102-85	SWITCH	4.3 mm SKQSAE		C633	OW05-73104-00	C CAPACITOR	0.1uF	
S529	OW16-10102-85	SWITCH	4.3 mm SKQSAE		C634	OW05-73223-00	C CAPACITOR	0.022uF	
SJ500	OW12-10035-12	PHONE JACK	F 3.5 ST-101		C635	OW05-73180-05	C CAPACITOR	18pF	
XXXXX	OW05-70104-10	C CAPACITOR	0.1uF		C636	OW05-73223-00	C CAPACITOR	0.022uF	
XXXXX	OW08-04344-89T	FERRITE CORE	For CN500		C637	OW05-73103-00	C CAPACITOR	0.01uF	
XXXXX	OW11-01002-07	DISPLAY PCB			C638	OW05-73101-05	C CAPACITOR	100pF	
XXXXX	OW25-83050-05	CONNECTOR WIRE	5P CN501 to CN502		C639	OW05-73104-00	C CAPACITOR	0.1uF	
XXXXX	OW25-83100-02	CONNECTOR WIRE	2P CN510 to CN511		C640	OW05-73104-00	C CAPACITOR	0.1uF	
XXXXX	OW25-94060-80	CONNECTOR WIRE	2P CN503 to CN509		C641	OW05-73102-00	C CAPACITOR	1000pF	
XXXXX	OW25-83100-02	CONNECTOR WIRE	2P CN513 to CN514	KB1	C642	OW05-73332-00	C CAPACITOR	3300pF	
XXXXX	OW25-94060-80	CONNECTOR WIRE	2P CN506 to CN512	KB1	C644	OW05-73180-05	C CAPACITOR	18pF	

Tuner board

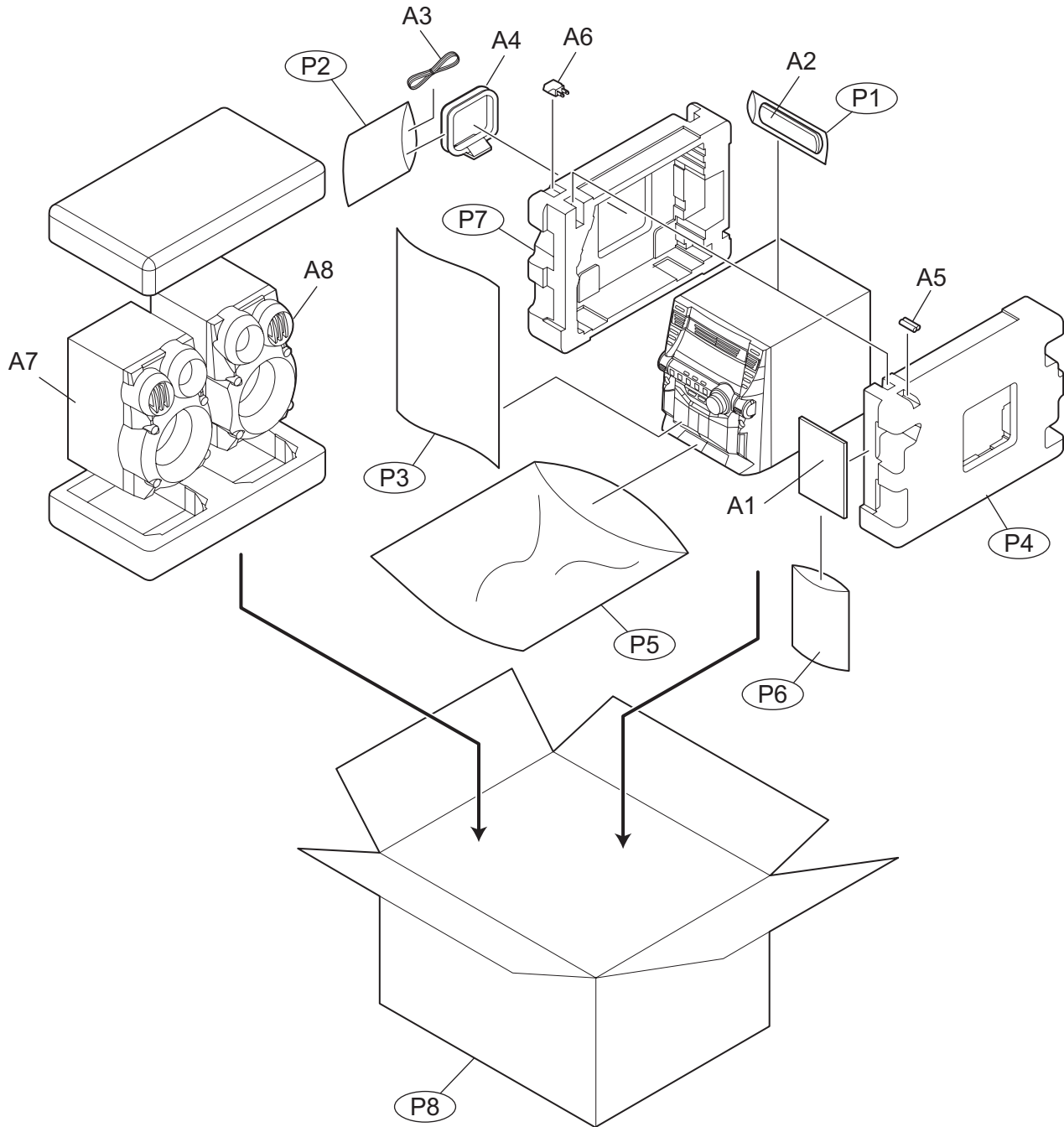
Block No. [0][4]

△ Symbol No.	Part No.	Part Name	Description	Local	△ Symbol No.	Part No.	Part Name	Description	Local
IC601	TC9257	IC	OW03-09257-81		R600	OW07-75471-50	C RESISTOR	470 ohm 1/8W	
IC602	TA2149BN	IC	OW03-02149-81		R601	OW07-75103-50	C RESISTOR	10 Kohm 1/8W	
Q601	9014	TRANSISTOR	OW01-09014-85		R602	OW07-75103-50	C RESISTOR	10 Kohm 1/8W	
Q602	9014	TRANSISTOR	OW01-09014-85		R603	OW07-75102-50	C RESISTOR	1 Kohm 1/8W	
Q603	9014	TRANSISTOR	OW01-09014-85		R604	OW07-75222-50	C RESISTOR	2.2 Kohm 1/8W	
Q604	9014	TRANSISTOR	OW01-09014-85		R605	OW07-75122-50	C RESISTOR	1.2 Kohm 1/8W	
Q605	2SC945-P	TRANSISTOR	OW01-00945-80		R606	OW07-75102-50	C RESISTOR	1 Kohm 1/8W	
					R608	OW07-75331-50	C RESISTOR	330 ohm 1/8W	
					R609	OW07-75222-50	C RESISTOR	2.2 Kohm 1/8W	
					R610	OW07-75222-50	C RESISTOR	2.2 Kohm 1/8W	
					R611	OW07-75102-50	C RESISTOR	1 Kohm 1/8W	

△ Symbol No.	Part No.	Part Name	Description	Local	△ Symbol No.	Part No.	Part Name	Description	Local
R612	OW07-75103-50	C RESISTOR	10 Kohm 1/8W		XXXXX	OW08-04344-88	FERRITE CORE	T-25 X 15 X 10	
R613	OW07-75103-50	C RESISTOR	10 Kohm 1/8W		XXXXX	OW11-01002-03	TUNER PCB		
R614	OW07-75102-50	C RESISTOR	1 Kohm 1/8W						
R615	OW07-75103-50	C RESISTOR	10 Kohm 1/8W						
R616	OW07-75102-50	C RESISTOR	1 Kohm 1/8W						
R617	OW07-75472-50	C RESISTOR	4.7 Kohm 1/8W						
R618	OW07-75103-50	C RESISTOR	10 Kohm 1/8W						
R619	OW07-75103-50	C RESISTOR	10 Kohm 1/8W						
R620	OW07-75102-50	C RESISTOR	1 Kohm 1/8W	KB1					
R621	OW07-75103-50	C RESISTOR	10 Kohm 1/8W						
R622	OW07-75103-50	C RESISTOR	10 Kohm 1/8W						
R623	OW07-75103-50	C RESISTOR	10 Kohm 1/8W						
R624	OW07-75103-50	C RESISTOR	10 Kohm 1/8W						
R625	OW07-75103-50	C RESISTOR	10 Kohm 1/8W						
R626	OW07-75103-50	C RESISTOR	10 Kohm 1/8W						
R627	OW07-75471-50	C RESISTOR	470 ohm 1/8W						
R629	OW07-75103-50	C RESISTOR	10 Kohm 1/8W						
R630	OW07-75102-50	C RESISTOR	1 Kohm 1/8W						
R631	OW07-75102-50	C RESISTOR	1 Kohm 1/8W						
R632	OW07-75103-50	C RESISTOR	10 Kohm 1/8W						
R633	OW07-75222-50	C RESISTOR	2.2 Kohm 1/8W						
R634	OW07-75221-50	C RESISTOR	220 ohm 1/8W						
R635	OW07-75333-06	C RESISTOR	33 Kohm 1/16W						
R637	OW07-75331-50	C RESISTOR	330 ohm 1/8W						
R639	OW07-75473-50	C RESISTOR	47 Kohm 1/8W						
R640	OW07-75392-50	C RESISTOR	3.9 Kohm 1/8W						
R641	OW07-75392-50	C RESISTOR	3.9 Kohm 1/8W						
R642	OW07-75103-50	C RESISTOR	10 Kohm 1/8W						
R643	OW07-75103-50	C RESISTOR	10 Kohm 1/8W						
R644	OW07-75222-50	C RESISTOR	2.2 Kohm 1/8W						
R645	OW07-75222-50	C RESISTOR	2.2 Kohm 1/8W						
R648	OW07-75332-50	C RESISTOR	3.3 Kohm 1/8W						
R649	OW07-75100-50	C RESISTOR	10 ohm 1/8W						
R650	OW07-75220-50	C RESISTOR	22 ohm 1/8W						
R651	OW07-75100-50	C RESISTOR	10 ohm 1/8W						
R652	OW07-75223-50	C RESISTOR	22 Kohm 1/8W						
R653	OW07-75473-50	C RESISTOR	47 Kohm 1/8W						
R654	OW07-75473-50	C RESISTOR	47 Kohm 1/8W						
R655	OW07-75104-50	C RESISTOR	100 Kohm 1/8W						
R656	OW07-75104-50	C RESISTOR	100 Kohm 1/8W						
R657	OW07-75104-50	C RESISTOR	100 Kohm 1/8W						
R660	OW07-75103-50	C RESISTOR	10 Kohm 1/8W						
R661	OW07-75332-50	C RESISTOR	3.3 Kohm 1/8W						
L601	OW09-65035-80	FM COIL	F3.5 X 61/20.5						
L602	OW09-65035-80	FM COIL	F3.5 X 61/20.5						
L603	OW09-70101-82T	COIL	10mH						
L604	OW09-35040-80	FM COIL	F 4mm						
L605	OW09-35040-80	FM COIL	F 4mm						
CE600	OW06-72477-20	E CAPACITOR	470uF 25V						
CE601	OW06-75475-20	E CAPACITOR	4.7uF 50V						
CE602	OW06-75475-20	E CAPACITOR	4.7uF 50V						
CE603	OW06-72477-20	E CAPACITOR	470uF 25V						
CE604	OW06-72477-20	E CAPACITOR	470uF 25V						
CE611	OW06-75225-20	E CAPACITOR	2.2uF 50V						
CE612	OW06-75225-20	E CAPACITOR	2.2uF 50V						
CF602	OW09-50107-80	CERAMIC FILTER	LT10.7MS3	KB1					
CF602	OW09-50107-81	CERAMIC FILTER	LT10.7MS3	KB2					
CF604	OW09-50450-89	CERAMIC FILTER	AHCFM2-450BL						
CN601	OW20-21130-80	CONNECTOR	13P						
FMANT	OW12-00007-82	FM ANTENNA	75 ohm TC-103						
IFT601	OW08-12179-80	IFT COIL	AHK7-864364NP						
IFT602	OW08-00234-80	IFT COIL	10mm						
IFT605	OW08-71495-80	IFT COIL	7mm						
IFT606	OW08-87630-80	AM ANT COIL	0A10-876 305NP						
J601	OW12-00201-00	AM ANT SOCKET	WP2-2B						
JW603	OW07-76000-50	C RESISTOR	0 ohm 1/8W						
JW614	OW07-76000-50	C RESISTOR	0 ohm 1/8W						
JW617	OW07-74221-50T	C RESISTOR	220 ohm 1/8W						
JW625	OW07-75000-50	C RESISTOR	0 ohm 1/8W						
JW626	OW07-76000-50	C RESISTOR	0 ohm 1/8W						
JW627	OW07-76000-50	C RESISTOR	0 ohm 1/8W						
JW642	OW07-75000-50	C RESISTOR	0 ohm 1/8W						
XT601	OW04-07200-80	CRYSTAL	7.2MHz						
XXXXX	OW08-04344-83	FERRITE CORE	For CN500	KB2					
XXXXX	OW81-10001-80	SPONGE	L604 L605(x2)						
XXXXX	OW37-00002-80	EYELET	forFM ANT						

Packing materials and accessories parts list

Block No. M 3 M M



Packing and Accessories

Block No. [M][3][M][M]

△	Symbol No.	Part No.	Part Name	Description	Local
	A 1	OW88-01002-05	INST BOOK	LVT1251-007A ENG SPA POR	
	A 2	OWRM-SMXKB1U	REMOTE UNIT		KB1
	A 2	OWRM-SMXKB2U	REMOTE UNIT		KB2
	A 3	OW29-21400-80	FM ANT		
	A 4	OW23-04910-81	AM LOOP ANT		
	A 5	-----	BATTERY	(x2)	
△	A 6	OW97-02755-80	AC PLUG ADAPTOR		
	A 7	MXKB1UW-SPBOX-L	SPEAKER BOX L	OW00-01001-10	KB1
	A 7	MXKB2UW-SPBOX-L	SPEAKER BOX L	OW00-01002-03	KB2
	A 8	MXKB1UW-SPBOX-R	SPEAKER BOX R	OW00-01001-10	KB1
	A 8	MXKB2UW-SPBOX-R	SPEAKER BOX R	OW00-01002-03	KB2
	P 1	OW85-00025-81A	POLY BAG		
	P 2	OW85-90710-84	POLY BAG		
	P 3	OW81-01001-04	SHEET SPONGE		KB1
	P 3	OW81-01001-03	SHEET SPONGE		KB2
	P 4	OW86-01001-01	POLYFOAM	RIGHT	
	P 5	OW85-92434-40	POLY BAG		
	P 6	OW85-91014-82	POLY BAG		
	P 7	OW86-01001-00	POLYFOAM	LEFT	
	P 8	OW89-01002-05	CARTON BOX		KB1
	P 8	OW89-01002-07	CARTON BOX		KB2